

INSTRUCTION MANUAL
MANUEL D'INSTRUCTION
MANUAL DE INSTRUCCIONES

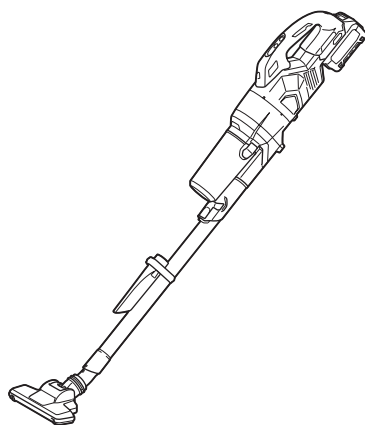


Cordless Cleaner

Aspirateur sans Fil

Aspiradora Inalámbrica

CL003G



IMPORTANT: Read Before Using.

IMPORTANT : Lire avant usage.

IMPORTANTE: Lea antes de usar.

SPECIFICATIONS

Model:		CL003G
Capacity		250 mL (0.07 gal.)
Continuous use (with battery BL4025)	1 (Quiet mode)	Approx. 80 min
	2 (Normal speed mode)	Approx. 40 min
	3 (High speed mode)	Approx. 25 min
	4 (Max speed mode)	Approx. 16 min
Overall length (with pipe, nozzle, and battery BL4025)		1,106 mm (43-1/2")
Rated voltage		D.C. 36 V - 40 V max
Net weight		1.9 - 2.6 kg (4.2 - 5.7 lbs)

- Due to our continuing program of research and development, the specifications herein are subject to change without notice.
- Specifications may differ from country to country.
- The weight does not include accessories but battery cartridge(s). The lightest and heaviest combination weight of the appliance and battery cartridge(s) are shown in the table.

Applicable battery cartridge and charger

Battery cartridge	BL4020* / BL4025* / BL4040* / BL4050F * : Recommended battery
Charger	DC40RA / DC40RB / DC40RC

- Some of the battery cartridges and chargers listed above may not be available depending on your region of residence.

⚠WARNING: Only use the battery cartridges and chargers listed above. Use of any other battery cartridges and chargers may cause injury and/or fire.

SAFETY WARNINGS

IMPORTANT SAFETY INSTRUCTIONS

When using an electrical appliance, basic precautions should always be followed, including the following:

**READ ALL
INSTRUCTIONS
BEFORE USING
THIS APPLIANCE.**

WARNING

To reduce the risk of fire, electric shock or injury:

1. Do not leave appliance when battery fitted. Remove battery from appliance when not in use and before servicing.
2. Do not use on wet surfaces. Do not expose to rain. Store indoors.
3. Do not allow to be used as a toy. Close attention is necessary when used by or near children.
4. Use only as described in this manual. Use only manufacturer's recommended attachments.
5. Do not use with damaged battery. If appliance is not working as it should, has been dropped, damaged, left outdoors, or dropped into water, return it to a service center.
6. Do not handle appliance with wet hands.

7. **Do not put any object into openings. Do not use with any opening blocked; keep free of dust, lint, hair, and anything that may reduce air flow.**
8. **Keep hair, loose clothing, fingers, and all parts of body away from openings and moving parts.**
9. **Turn off all controls before removing the battery cartridge.**
10. **Use extra care when cleaning on stairs.**
11. **Do not use to pick up flammable or combustible liquids, such as gasoline, or use in areas where they may be present.**
12. **Do not pick up anything that is burning or smoking, such as cigarettes, matches, or hot ashes.**
13. **Do not use without dust bag and/or filters in place.**
14. **Do not charge the battery outdoors.**
15. **Prevent unintentional starting. Ensure the switch is in the off-position before connecting to battery pack, picking up or carrying the appliance.** Carrying the appliance with your finger on the switch or energizing appliance that have the switch on invites accidents.
16. **Disconnect the battery pack from the appliance before making any adjustments, changing accessories, or storing appliance.** Such preventive safety measures reduce the risk of starting the appliance accidentally.
17. **Recharge only with the charger specified by the manufacturer.** A charger that is suitable for one type of battery pack may create a risk of fire when used with another battery pack.
18. **Use appliances only with specifically designated battery packs.** Use of any other battery packs may create a risk of injury and fire.
19. **When battery pack is not in use, keep it away from other metal objects, like paper clips, coins, keys, nails, screws or other small metal objects, that can make a connection from one terminal to another.** Shorting the battery terminals together may cause burns or a fire.
20. **Under abusive conditions, liquid may be ejected from the battery; avoid contact. If contact accidentally occurs, flush with water. If liquid contacts eyes, additionally seek medical help.** Liquid ejected from the battery may cause irritation or burns.
21. **Do not use a battery pack or appliance that is damaged or modified. Damaged or modified batteries may exhibit unpredictable behaviour resulting in fire, explosion or risk of injury.**
22. **Do not expose a battery pack or appliance to fire or excessive temperature. Exposure to fire or temperature above 130 °C may cause explosion.**
23. **Follow all charging instructions and do not charge the battery pack or appliance outside of the temperature range specified in the instructions.** Charging improperly or at temperatures outside of the specified range may damage the battery and increase the risk of fire.
24. **Have servicing performed by a qualified repair person using only identical replacement parts.** This will ensure that the safety of the product is maintained.
25. **Do not modify or attempt to repair the appliance or the battery pack except as indicated in the instructions for use and care.**

SAVE THESE INSTRUCTIONS.

ADDITIONAL SAFETY RULES

This appliance is intended for commercial use.

1. **Read this instruction manual and the charger instruction manual carefully before use.**

2. **Do not vacuum the following:**
 - Flammable liquid (kerosene, gasoline, solvents such as benzine, thinner, etc.)
 - Hot substances that are burning or smoking (cigarettes, matches, incense sticks, candles, hot ashes), sparks and metal dust generated by cutting or grinding metal, etc.
 - Flammable material (toner, paint, spray, etc.)
 - Foam like carpet cleaning agent, etc. (they may cause explosion or fire)
 - Explosive or pyrophoric substances (nitroglycerin, aluminum, magnesium, titanium, zinc, red phosphorus, yellow phosphorus, celluloid, etc. and their dust, gas or steam)
 - Sharp objects (glass, cutlery, wood splinter, metal, stone, nail, razor, push pin, etc.)
 - Solidifying and conductive fine powder (metal or carbon powder)
 - Dehumidifier
 - Large amount of powder (flour, fire extinguisher powder, etc.)
 - Substances that cause toxic symptoms
 - Aggressive chemicals (acid, leach, etc.)
 - Liquid or damp garbage, including vomit and excreta
 - Asbestos
 - Pesticides

Such action may cause fire, injury and/or property damage. To reduce your exposure to these chemicals, always wear approved respiratory protection such as dust masks that are specially designed to filter out microscopic particles. Direct the exhaust air away from your face and body.
3. **Stop operation immediately if you notice anything abnormal.**
4. **If you drop or strike the cleaner, check it carefully for cracks or damage before operation.**

5. **Do not bring close to stoves or other heat sources.**
6. **Do not block the intake hole or vent holes.**

SAVE THESE INSTRUCTIONS.

Symbols

The followings show the symbols used for tool.

v	volts
⎓	direct current

Important safety instructions for battery cartridge

1. **Before using battery cartridge, read all instructions and cautionary markings on (1) battery charger, (2) battery, and (3) product using battery.**
2. **Do not disassemble or tamper the battery cartridge. It may result in a fire, excessive heat, or explosion.**
3. **If operating time has become excessively shorter, stop operating immediately. It may result in a risk of overheating, possible burns and even an explosion.**
4. **If electrolyte gets into your eyes, rinse them out with clear water and seek medical attention right away. It may result in loss of your eyesight.**
5. **Do not short the battery cartridge:**
 - (1) **Do not touch the terminals with any conductive material.**
 - (2) **Avoid storing battery cartridge in a container with other metal objects such as nails, coins, etc.**
 - (3) **Do not expose battery cartridge to water or rain.**

A battery short can cause a large current flow, overheating, possible burns and even a breakdown.

6. Do not store and use the tool and battery cartridge in locations where the temperature may reach or exceed 50 °C (122 °F).
7. Do not incinerate the battery cartridge even if it is severely damaged or is completely worn out. The battery cartridge can explode in a fire.
8. Do not nail, cut, crush, throw, drop the battery cartridge, or hit against a hard object to the battery cartridge. Such conduct may result in a fire, excessive heat, or explosion.
9. Do not use a damaged battery.
10. The contained lithium-ion batteries are subject to the Dangerous Goods Legislation requirements. For commercial transports e.g. by third parties, forwarding agents, special requirement on packaging and labeling must be observed. For preparation of the item being shipped, consulting an expert for hazardous material is required. Please also observe possibly more detailed national regulations. Tape or mask off open contacts and pack up the battery in such a manner that it cannot move around in the packaging.
11. When disposing the battery cartridge, remove it from the tool and dispose of it in a safe place. Follow your local regulations relating to disposal of battery.
12. Use the batteries only with the products specified by Makita. Installing the batteries to non-compliant products may result in a fire, excessive heat, explosion, or leak of electrolyte.
13. If the tool is not used for a long period of time, the battery must be removed from the tool.
14. During and after use, the battery cartridge may take on heat which can cause burns or low temperature burns. Pay attention to the handling of hot battery cartridges.
15. Do not touch the terminal of the tool immediately after use as it may get hot enough to cause burns.
16. Do not allow chips, dust, or soil stuck into the terminals, holes, and grooves of the battery cartridge. It may result in poor performance or breakdown of the tool or battery cartridge.
17. Unless the tool supports the use near high-voltage electrical power lines, do not use the battery cartridge near a high-voltage electrical power lines. It may result in a malfunction or breakdown of the tool or battery cartridge.
18. Keep the battery away from children.

SAVE THESE INSTRUCTIONS.

⚠ CAUTION: Only use genuine Makita batteries. Use of non-genuine Makita batteries, or batteries that have been altered, may result in the battery bursting causing fires, personal injury and damage. It will also void the Makita warranty for the Makita tool and charger.

Tips for maintaining maximum battery life

1. Charge the battery cartridge before completely discharged. Always stop tool operation and charge the battery cartridge when you notice less tool power.
2. Never recharge a fully charged battery cartridge. Overcharging shortens the battery service life.
3. Charge the battery cartridge with room temperature at 10 °C - 40 °C (50 °F - 104 °F). Let a hot battery cartridge cool down before charging it.
4. When not using the battery cartridge, remove it from the tool or the charger.
5. Charge the battery cartridge if you do not use it for a long period (more than six months).

FUNCTIONAL DESCRIPTION

CAUTION: Always be sure that the tool is switched off and the battery cartridge is removed before adjusting or checking function on the tool.

CAUTION: Take care not to trap finger(s) between cleaner and battery as shown in diagram when loading battery. Trapping finger(s) may cause injury.

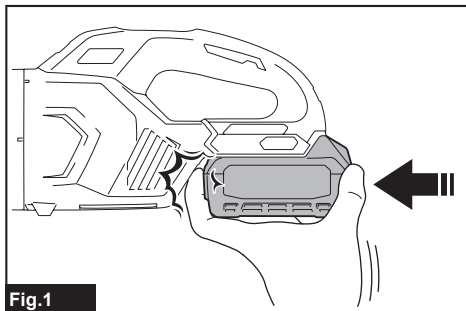


Fig.1

Installing or removing battery cartridge

CAUTION: Always switch off the tool before installing or removing of the battery cartridge.

CAUTION: Hold the tool and the battery cartridge firmly when installing or removing battery cartridge. Failure to hold the tool and the battery cartridge firmly may cause them to slip off your hands and result in damage to the tool and battery cartridge and a personal injury.

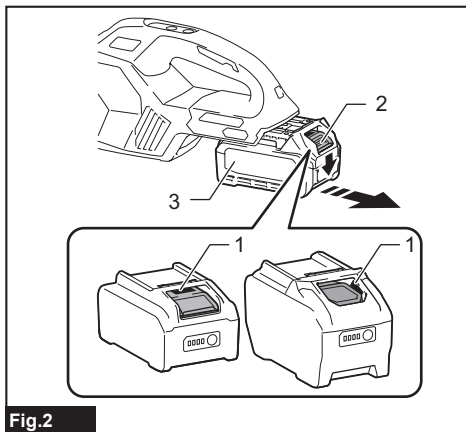


Fig.2

- 1. Red indicator 2. Button 3. Battery cartridge

To remove the battery cartridge, slide it from the tool while sliding the button on the front of the cartridge.

To install the battery cartridge, align the tongue on the battery cartridge with the groove in the housing and slip it into place. Insert it all the way until it locks in place with a little click. If you can see the red indicator as shown in the figure, it is not locked completely.

CAUTION: Always install the battery cartridge fully until the red indicator cannot be seen. If not, it may accidentally fall out of the tool, causing injury to you or someone around you.

CAUTION: Do not install the battery cartridge forcibly. If the cartridge does not slide in easily, it is not being inserted correctly.

Battery protection system

The tool is equipped with a tool/battery protection system. This system automatically cuts off power to the motor to extend tool and battery life. The tool will automatically stop during operation if the tool or battery is placed under one of the following conditions.

Overloaded:

The tool/battery is operated in a manner that causes it to draw an abnormally high current.

In this situation, turn the tool off and stop the application that caused the tool to become overloaded. Then turn the tool on to restart.

If the tool does not start, the tool/battery is overheated. In this situation, let the tool/battery cool before turning the tool on again.

Low battery voltage:

The remaining battery capacity is too low and the tool will not operate. In this situation, remove and recharge the battery.

Protections against other causes:

Protection system is also designed for other causes that could damage the tool and allows the tool to stop automatically. Take all the following steps to clear the causes, when the tool has been brought to a temporary halt or stop in operation.

1. Turn the tool off, and then turn it on again to restart.
2. Charge the battery(ies) or replace it/them with recharged battery(ies).
3. Let the tool and battery(ies) cool down.

If no improvement can be found by restoring protection system, then contact your local Makita Service Center.

Indicating the remaining battery capacity

Press the check button on the battery cartridge to indicate the remaining battery capacity. The indicator lamps light up for a few seconds.

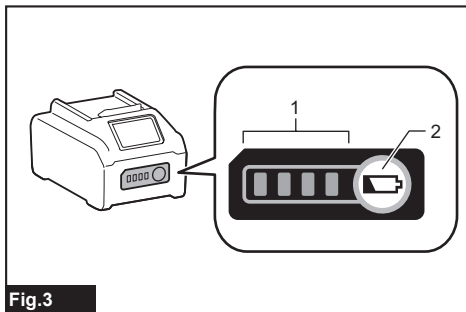


Fig.3

- 1. Indicator lamps 2. Check button

Indicator lamps			Remaining capacity
Lighted	Off	Blinking	
■	□	▧	75% to 100%
■ ■ ■ ■			50% to 75%
■ ■	□ □		25% to 50%
■	□ □ □ □		0% to 25%
▧	□ □ □ □		Charge the battery.
■ ■ □ □	□ □		The battery may have malfunctioned.
□ □ ■ ■		↑ ↓	

NOTE: Depending on the conditions of use and the ambient temperature, the indication may differ slightly from the actual capacity.

NOTE: The first (far left) indicator lamp will blink when the battery protection system works.

Switch action

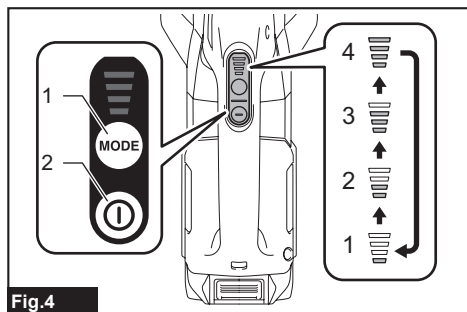


Fig.4

► 1. Suction power change button 2. ON/OFF button

To start the cleaner, simply push the ON/OFF button. To switch off, push the ON/OFF button again.

You can change the suction power of the cleaner in four steps by pushing the suction power change button. Each push on this button repeats the Quiet/Normal/High/Max mode in a cycle.

Level	Indication	Mode
1	▮▮▮▮	Quiet mode
2	▮▮▮▮	Normal speed mode
3	▮▮▮▮	High speed mode
4	▮▮▮▮	Max speed mode

NOTE: You can change the suction power before turning on the cleaner.

NOTE: The cleaner starts the operation with the same suction power as the last operation.

Lighting up the lamp

CAUTION: Do not look in the light or see the source of light directly.

To turn on the lamp, push the suction power change button. The lamp goes off in approximately 10 seconds. While the cleaner is running, the lamp turns on.

The lamp goes out approximately 10 seconds after stopping operation.

NOTE: When the remaining battery capacity gets low, the lamp starts blinking. The timing, at which the lamp starts blinking depends on the temperature at work place and the battery cartridge conditions.

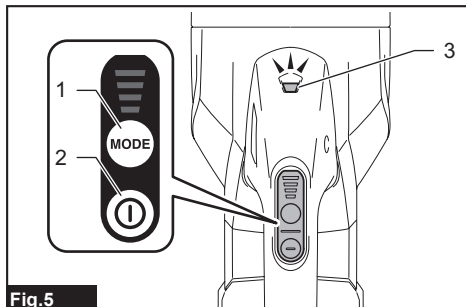


Fig.5

► 1. Suction power change button 2. ON/OFF button 3. Lamp

PARTS DESCRIPTION

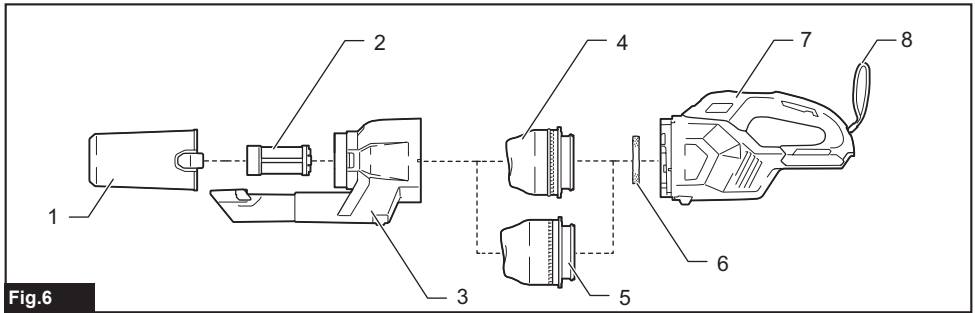


Fig.6

1	250 mL (0.07 gal.) dust case	2	Mesh filter	3	Cyclone body	4	High performance filter (Filter frame in gray color) (Optional accessory)
5	HEPA filter (Filter frame in white color) (Optional accessory)	6	Sponge sheet	7	Cleaner body	8	Hand strap (Country specific)

ASSEMBLY

CAUTION: Always be sure that the tool is switched off and the battery cartridge is removed before carrying out any work on the tool.

NOTICE: Make sure all the attachments and components are secured in place properly before use.

Installing and removing cleaner attachments

CAUTION: After installing attachments, check if they are securely installed. If the attachments are installed imperfectly, they may come off and cause personal injury.

CAUTION: Be careful not to hit your hand on the wall etc. when removing the attachments.

When using attachment with lock function

To install attachment, insert it to the suction inlet of the cleaner until it clicks. Make sure that the attachment is locked.

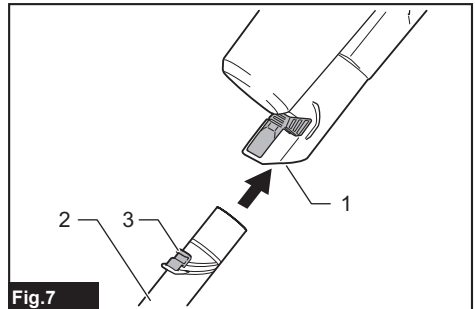


Fig.7

- ▶ 1. Suction inlet
- 2. Attachment with lock function
- 3. Hook

NOTICE: When installing the attachment with lock function, be sure to align the release button on the cleaner with the hook on the attachment. If they are not aligned, the attachment will not be locked and may come off from the cleaner.

To remove attachment, pull it off the cleaner while pressing and holding the arms of the release button.

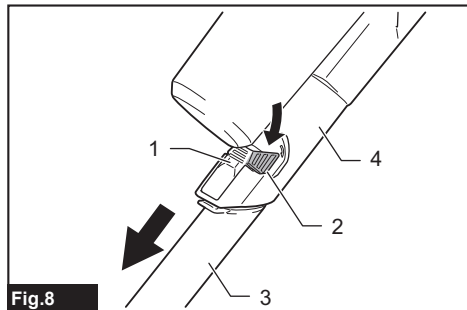


Fig.8

- ▶ 1. Release button 2. Arm of release button
- 3. Attachment with lock function 4. Suction inlet

When using attachment without lock function

NOTICE: To install attachment without lock function, insert it into the suction inlet of the cleaner by twisting it as shown in the figure. To detach attachment, release it from the cleaner by twisting it as shown in the figure. Avoid twisting the attachment in the direction opposite to the arrow in the figure as it may loosen the cyclone unit.

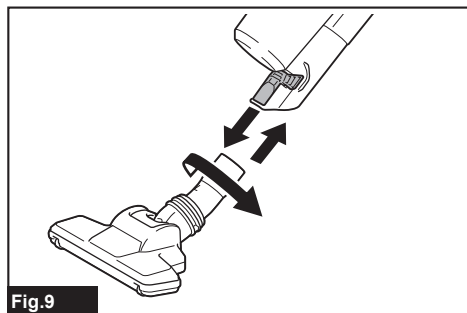


Fig.9

OPERATION

⚠ CAUTION: Do not move your face close to the air vent when operating the cleaner. If foreign objects are blown into eyes, it may result in personal injury.

NOTICE: Avoid using the cleaner in a horizontal or upward facing position. It may otherwise cause the mesh filter to become clogged.

NOTICE: Always use the cleaner with filters installed. Using the cleaner without filters may result in a motor malfunction.

NOTICE: Empty the dust case in the cyclone unit when dust has accumulated. Continued use will result in weakened suction force.

The cyclone unit helps reduce the amount of dust that enters into the cleaner, enhancing the suction performance with simple and easy dust disposing.

Cleaning (Suction)

Nozzle

Attach the nozzle to clean off tables, desks, furniture, etc. The nozzle slips on easily.

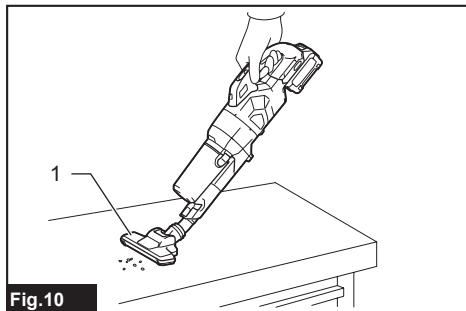


Fig.10

- ▶ 1. Nozzle

Nozzle + Extension wand (Straight pipe)

The extension wand fits in between the nozzle and the cleaner itself. This arrangement is convenient for cleaning a floor in a standing position.

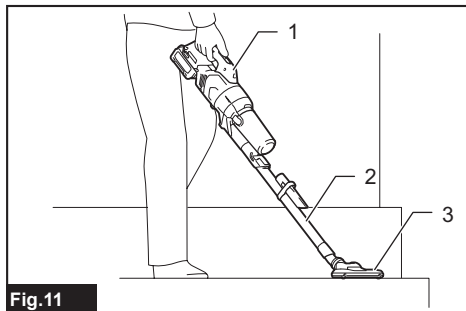


Fig.11

- ▶ 1. Cleaner body 2. Extension wand 3. Nozzle

Corner nozzle

Fit on the corner nozzle for cleaning corners and crevices of a car or furniture.

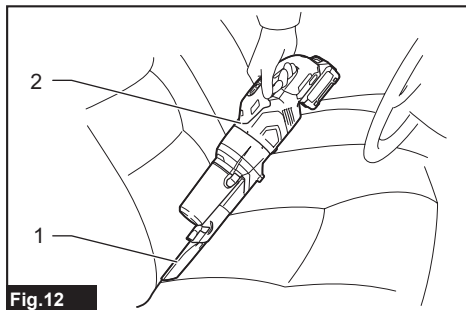


Fig.12

- ▶ 1. Corner nozzle 2. Cleaner body

You can store the corner nozzle in the nozzle holder.

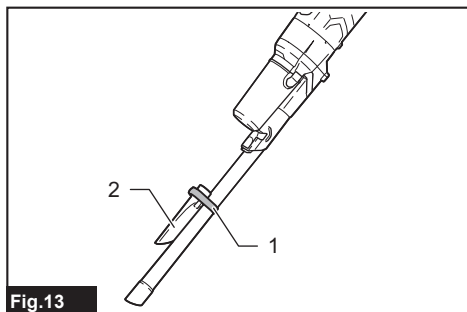


Fig.13

► 1. Nozzle holder 2. Corner nozzle

CAUTION: Be careful not to trap finger(s) between the corner nozzle and the nozzle holder. Trapping finger(s) may cause injury.

Corner nozzle + Extension wand (Straight pipe)

In tight quarters where the cleaner itself cannot squeeze in, or in high places hard to reach, use this arrangement.

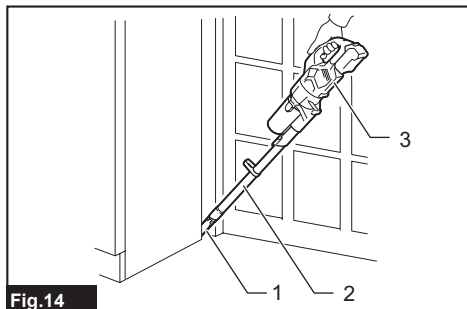


Fig.14

► 1. Corner nozzle 2. Extension wand 3. Cleaner body

Cleaning without nozzle

You can pick up powder and dust without nozzle.

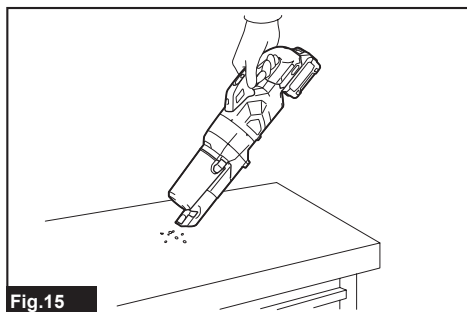


Fig.15

For picking up dust on a floor in a standing position, it is convenient to attach the extension wand (straight pipe) to the cleaner.

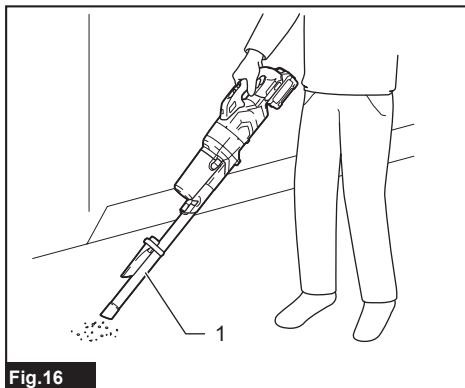


Fig.16

► 1. Extension wand

Disposing of dust

CAUTION: Empty the dust case before it becomes too full, or the suction force weakens.

CAUTION: Be careful not to trap finger(s) between the dust case and cyclone body when reassembling.

Dispose of accumulated dust as follows before it exceeds the dust disposal line.

1. Point the cleaner head downwards, hold the dust case firmly, and then pull it apart from the cyclone body while pressing and holding the release buttons on both sides of the dust case.

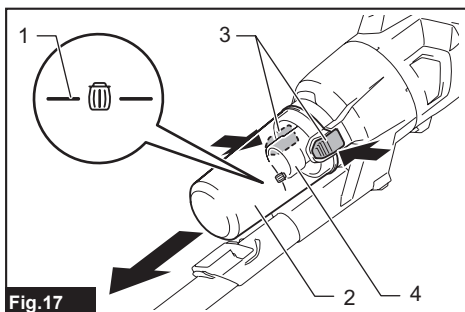


Fig.17

► 1. Dust disposal line 2. Dust case 3. Release buttons 4. Mesh filter

- Empty the dust case and clean the adhered dust off the mesh filter.

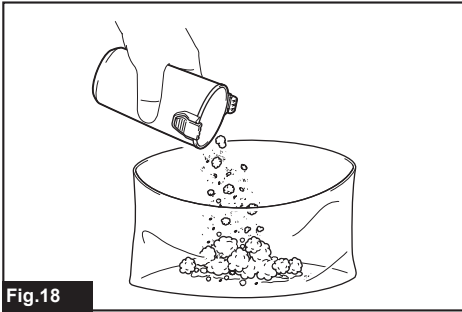


Fig.18

- Place the dust case back onto the cyclone body to secure it in place with clicks.

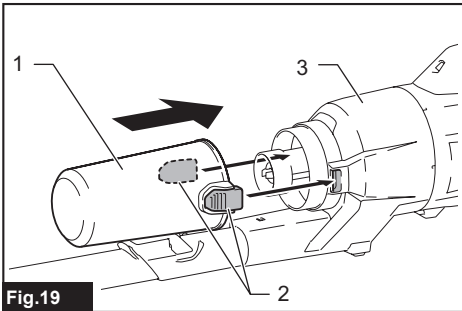


Fig.19

- 1. Dust case 2. Release buttons 3. Cyclone body

CAUTION: The dust may fly up when disposed out of the dust case. Be careful not to let the dust get into your eyes.

NOTICE: When the dust case becomes dirty, remove and wash it with water. Dry the dust case thoroughly before reassembly and use.

NOTICE: Make sure all the attachments and components are secured in place properly before use.

NOTICE: If the suction force does not recover even after disposing of the dust and cleaning the mesh filter, check whether dust has accumulated inside the cyclone body or clogging has occurred.

MAINTENANCE

CAUTION: Always be sure that the tool is switched off and the battery cartridge is removed before attempting to perform inspection or maintenance.

NOTICE: Never use gasoline, benzine, thinner, alcohol or the like. Discoloration, deformation or cracks may result.

To maintain product SAFETY and RELIABILITY, repairs, any other maintenance or adjustment should be performed by Makita Authorized or Factory Service Centers, always using Makita replacement parts.

After use

CAUTION: Putting the cleaner against the wall without any other support may cause the cleaner to fall down, resulting in personal injury or damage to the cleaner.

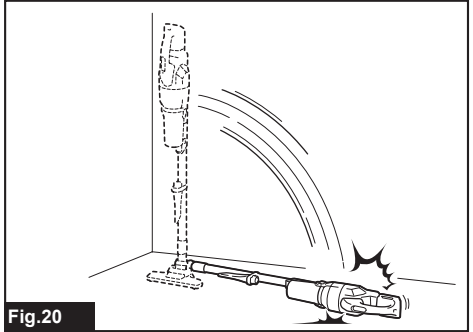


Fig.20

Regular maintenance

NOTICE: Clean the filters in the cyclone unit when they become clogged. Continued use in the clogged condition may result in heating or motor malfunction.

NOTICE: Do not blow dust sticking on the cleaner and filters by air duster. It brings dust into the housing and causes failure.

Routine maintenance is required to restore normal operating conditions.

Cleaner body

Wipe off the outside (cleaner body) of the cleaner using a cloth dampened in soapy water, and clean out the suction openings.

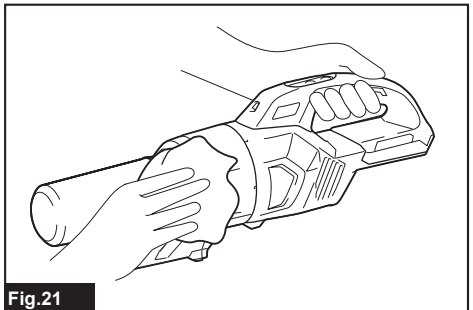


Fig.21

Cyclone unit and filters

NOTICE: Dust off and clean out inside the cyclone unit and filters, when suction performance becomes less effective regardless of the amount of dust collected in the dust case.

NOTICE: After washing filters, dry them thoroughly before use. Insufficiently dried filters may cause poor suction and shorten the service life of the motor.

NOTICE: After cleaning filters and sponge sheet, be sure to re-install them before use. If you use the cleaner without filters and sponge sheet, dust comes into the motor housing and causes malfunction.

Cyclone unit

1. Tap the cyclone unit several times with your hand to remove dust adhering to the inner surface of the cyclone unit and filter.

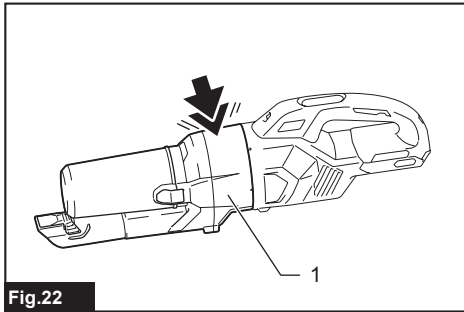


Fig.22

- 1. Cyclone unit

2. With the suction inlet pointing downwards, turn the cyclone unit as shown in the figure aligning the pointer on the cyclone unit with that on the cleaner body to disengage the lock. Then detach the cyclone unit from the cleaner body slowly and straightly.

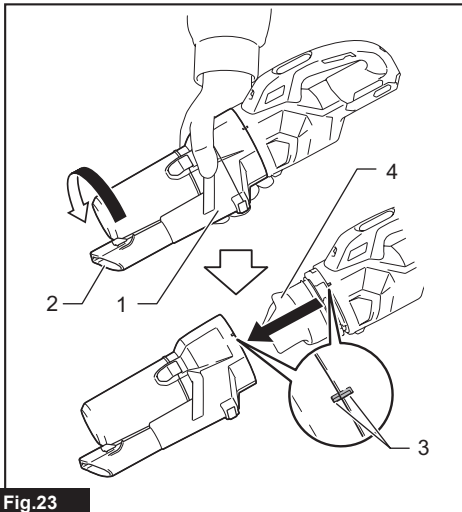


Fig.23

- 1. Cyclone unit 2. Suction inlet 3. Pointers 4. Filter

NOTE: Dust may fly out when the cyclone unit is disassembled. It is recommended to place a garbage bag underneath the cyclone unit.

3. Dust off inside the cyclone unit and filter.

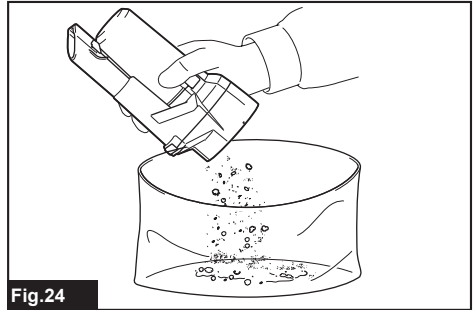


Fig.24

4. Place the cyclone unit back onto the cleaner body, aligning the pointer on the cyclone unit with that on the cleaner body. Then turn the cyclone unit as shown in the figure until it is secured in place.

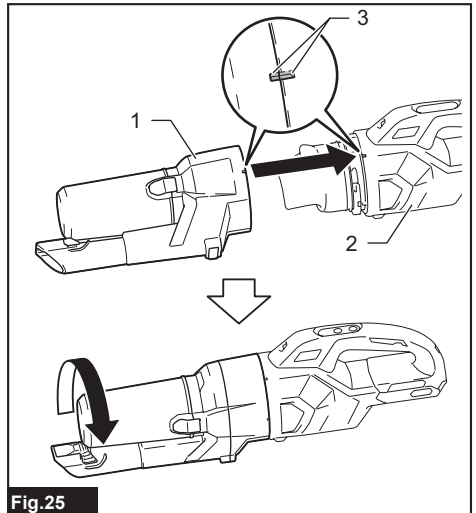


Fig.25

- 1. Cyclone unit 2. Cleaner body 3. Pointers

High performance filter

Optional accessory

1. Disassemble the cyclone unit from the cleaner body.
2. Hold the mounting end of high performance filter and pull it apart from the cleaner body.

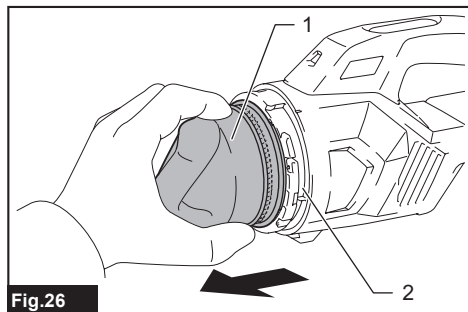


Fig.26

- 1. High performance filter 2. Cleaner body

3. Wipe and shake dust off the high performance filter by hand.

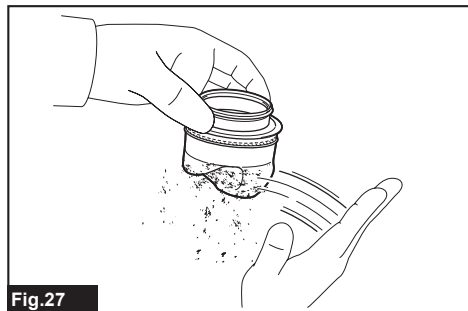


Fig.27

4. Wash the high performance filter in soapy water when it is clogged with dust and dirt. Dry it out thoroughly in the shade before use.

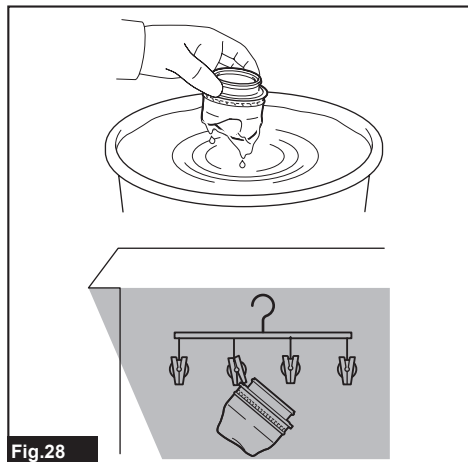


Fig.28

NOTE: Avoid fastening the attachment end (rubber sealing ring) of high performance filter when hanging it up for drying.

5. Hold the mounting end of high performance filter and squeeze it back into the cleaner body.

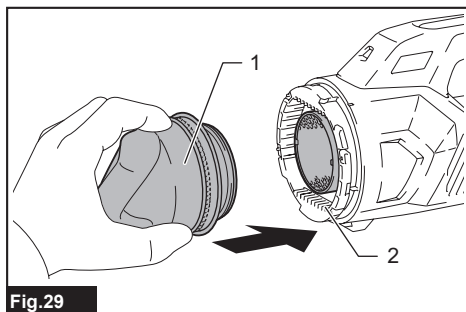


Fig.29

- 1. High performance filter 2. Cleaner body

HEPA filter

Optional accessory

NOTICE: Do not rub or scratch the HEPA filter with hard objects such as a brush and a paddle.

1. Disassemble the cyclone unit from the cleaner body.
2. Hold the mounting end of HEPA filter (covered with high performance prefilter) and pull it apart from the cleaner body.

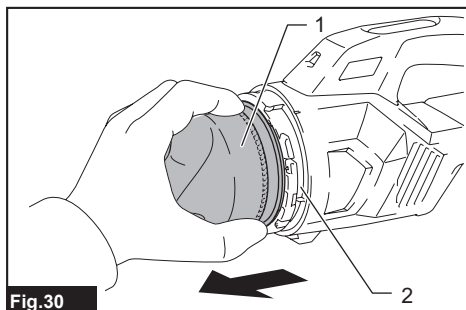


Fig.30

- 1. HEPA filter (covered with high performance prefilter) 2. Cleaner body

3. Disassemble the high performance prefilter from the HEPA filter by hand twisting.

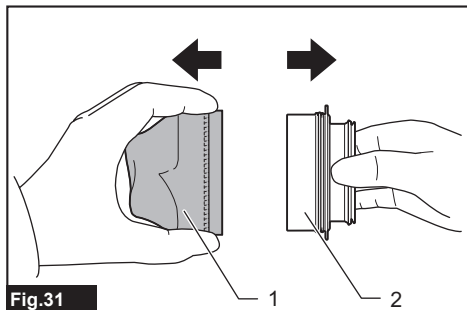


Fig.31

- ▶ 1. High performance prefilter 2. HEPA filter

4. Wipe and shake dust off the high performance prefilter and HEPA filter by hand.

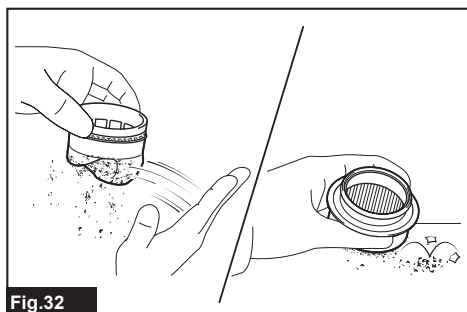


Fig.32

5. Wash the high performance prefilter and HEPA filter in soapy water. Rinse and dry them thoroughly in the shade before use.

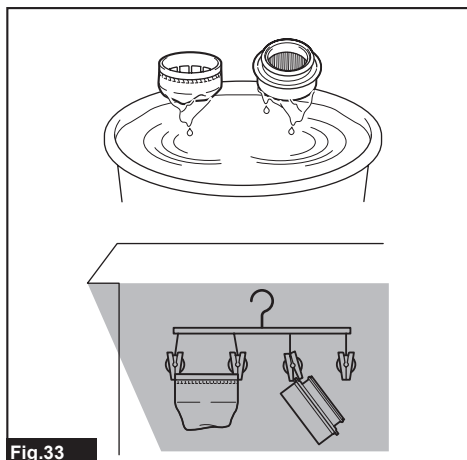


Fig.33

NOTE: Avoid fastening the attachment end (rubber sealing ring) of HEPA filter when hanging it up for drying.

6. Attach the high performance prefilter onto the HEPA filter.

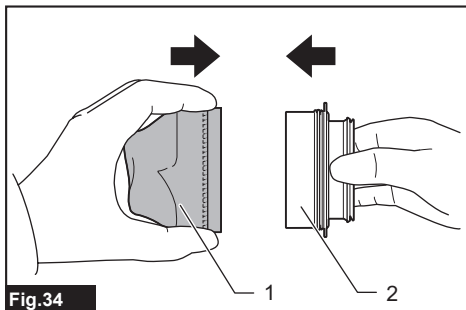


Fig.34

- ▶ 1. High performance prefilter 2. HEPA filter

7. Hold the mounting end of HEPA filter (covered with high performance prefilter) and squeeze it back into the cleaner body.

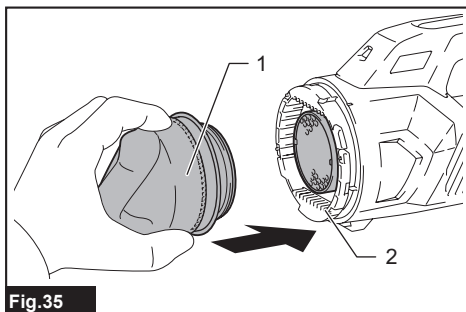


Fig.35

- ▶ 1. HEPA filter (covered with the high performance prefilter) 2. Cleaner body

Sponge sheet

1. Disassemble the cyclone unit from the cleaner body.
2. Hold the mounting end of filter and pull it apart from the cleaner body.

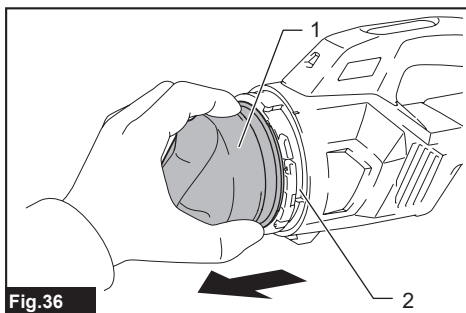


Fig.36

- ▶ 1. Filter 2. Cleaner body

3. Pull the sponge sheet off from the suction opening.

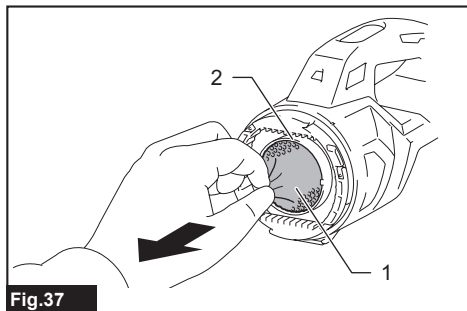


Fig. 37

► 1. Sponge sheet 2. Suction opening

4. Wipe and shake dust off the sponge sheet by hand.

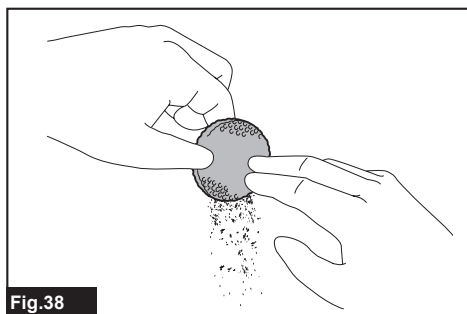


Fig. 38

5. Wash the sponge sheet in soapy water when it is clogged with dust and dirt. Dry it out thoroughly in the shade before use.

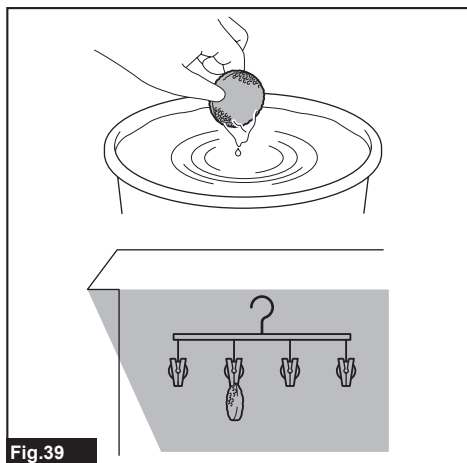


Fig. 39

6. Place the sponge sheet back in the original position. Make sure that the left and right edges of the sponge sheet are secured with stoppers and no gap between the sponge sheet and suction opening.

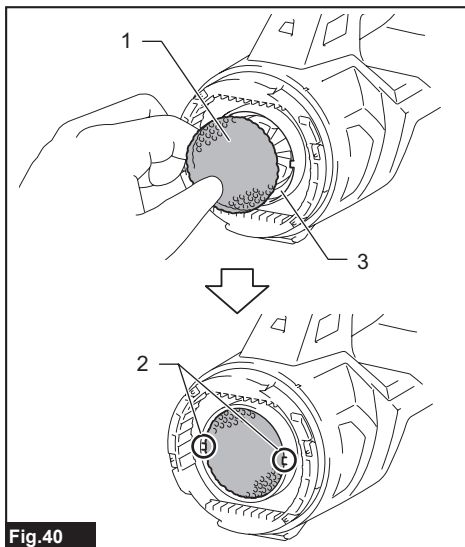


Fig. 40

► 1. Sponge sheet 2. Stopper 3. Suction opening

7. Hold the mounting end of filter and squeeze it back into the cleaner body.

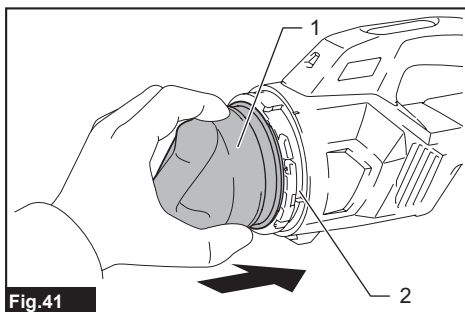


Fig. 41

► 1. Filter 2. Cleaner body

Condition-based maintenance

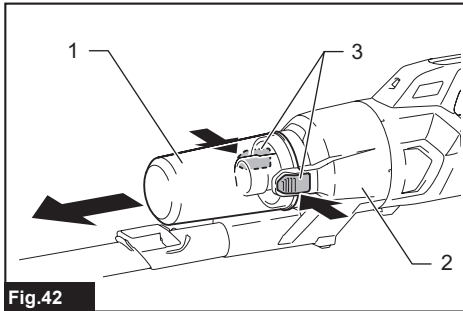
NOTICE: Clean the mesh filter in the cyclone unit when they become clogged. Continued use in the clogged condition may result in heating or motor malfunction.

Deep and spot cleaning needs to be carried out according to your tool performance.

Mesh filter

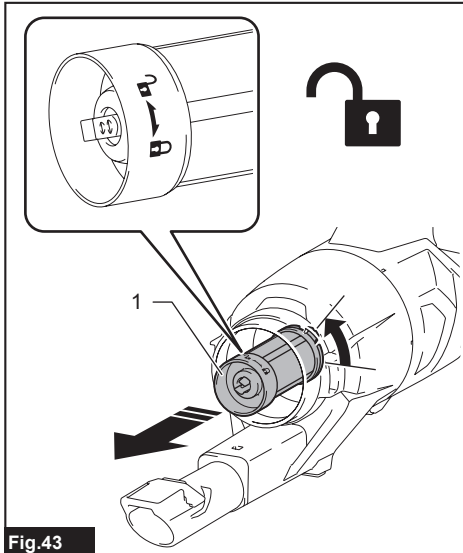
Clean up the mesh filter placed in the cyclone unit when no suggested improvement on suction performance has been found after completing regular maintenance.

1. Hold the dust case firmly and pull it apart from the cyclone body while pressing and holding the release buttons on both sides of the dust case.



► 1. Dust case 2. Cyclone body 3. Release buttons

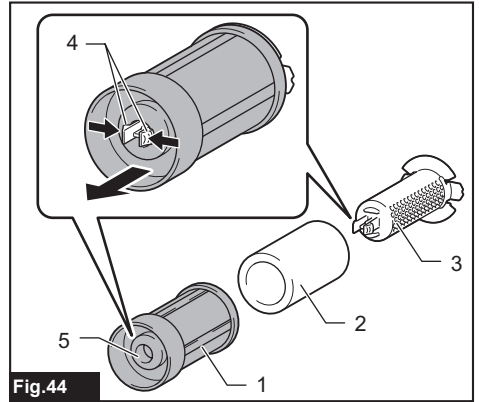
2. Turn the mesh filter as shown in the figure to disengage the lock. Then detach it from the cyclone body.



► 1. Mesh filter

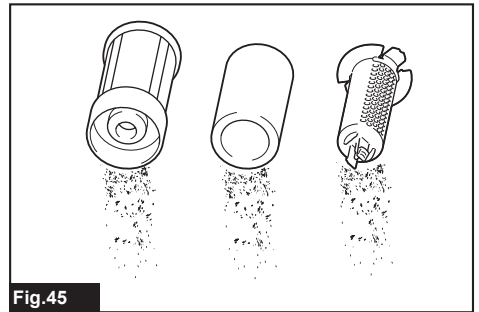
3. Disassemble the mesh filter into three components: prefilter, tubular sponge filter and mesh pipe.

- Squeeze the guide stoppers on top of the mesh pipe together.
- Pass the guide stoppers down through the guide hole on top of the prefilter.
- Pull the the prefilter along the tubular sponge filter and mesh pipe.
- Remove the tubular sponge filter from the mesh pipe.



► 1. Prefilter 2. Tubular sponge filter 3. Mesh pipe
4. Guide stoppers 5. Guide hole

4. Wipe and shake dust off the filters and mesh pipe by hand.



5. Wash the filters and mesh pipe in soapy water when they are clogged with dust and dirt. Dry them out thoroughly in the shade before use.

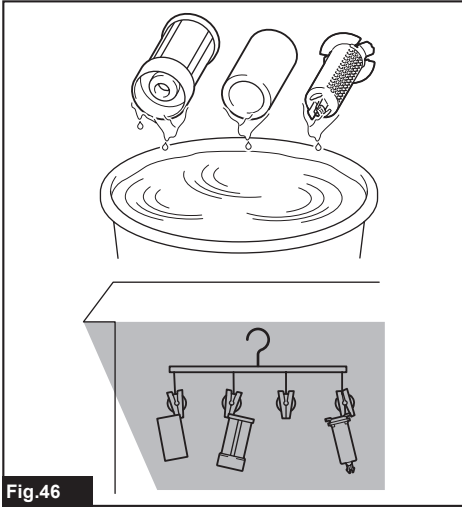


Fig.46

6. Reassemble the mesh filter.

- i Insert the tubular sponge filter into the prefilter.
- ii Insert the mesh pipe into the tubular sponge filter and prefilter, passing the guide stoppers on top of the mesh pipe through the guide hole on top of the prefilter.
- iii Push the mesh pipe through the tubular sponge filter and prefilter until it lock in place with a click.

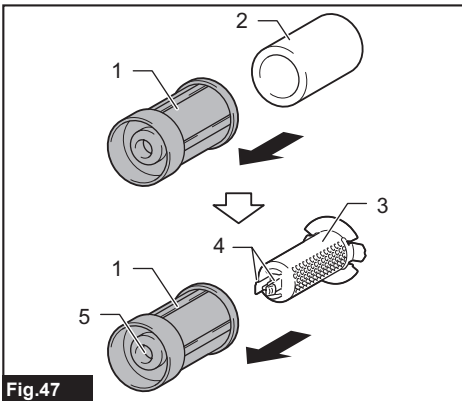


Fig.47

- ▶ 1. Prefilter 2. Tubular sponge filter 3. Mesh pipe
- 4. Guide stoppers 5. Guide hole

7. Attach the mesh filter back into the cyclone body aligning the hooks on the mesh filter with the ports on the suction outlet of the cyclone body. Turn the mesh filter as shown in the figure until the hooks are locked with a click. Make sure that the mesh filter is installed securely.

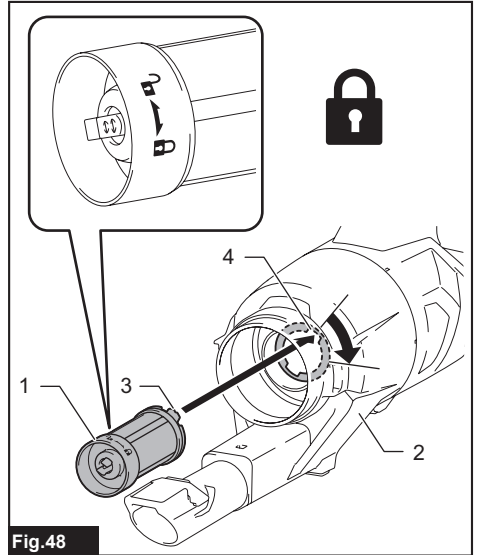


Fig.48

- ▶ 1. Mesh filter 2. Cyclone body 3. Hook 4. Port

Air channels in cyclone unit

Incoming foreign substance may block the air channels in the cyclone unit and laden air flows. Remove any obstacles in the air path if the suction performance is being affected remarkably.

- 1. Disassemble the cyclone unit into three components: dust case, mesh filter and cyclone body.

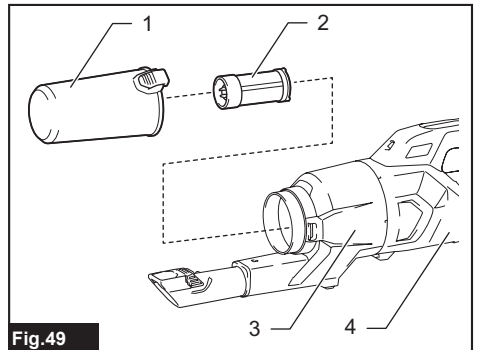


Fig.49

- ▶ 1. Dust case 2. Mesh filter 3. Cyclone body
- 4. Cleaner body

2. Press and hold the guide stopper on the inlet pipe down through the locking hole on the cyclone body using the hand tool with a point. Then detach the inlet pipe from the cyclone body.

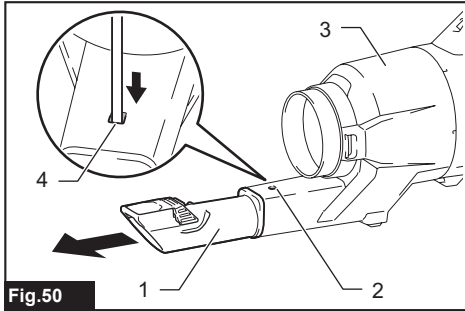


Fig.50

► 1. Inlet pipe 2. Guide stopper 3. Cyclone body
4. Locking hole

3. Clean off any substance found in the air channels.

Foreign substance is likely to get stuck around an incoming air port.



Fig.51

► 1. Suction inlet 2. Incoming air port

4. Insert the inlet pipe back in place until it is securely locked.

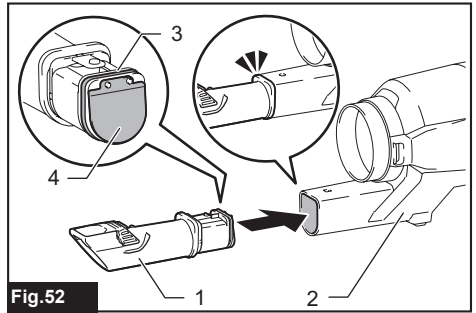


Fig.52

► 1. Inlet pipe 2. Cyclone body 3. O-ring 4. Flap valve

NOTICE: Be sure that the O-ring and flap valve are securely in place before reassembly. Suction performance can be affected if the cyclone unit is operated without the O-ring and flap valve in place.

5. Reassemble the cyclone unit, and attach it onto the cleaner body.

Troubleshooting

Before asking for repairs, check the following points.

Symptom	Area to be investigated	Fixing method
Weak suction power	Is dust case or inside cyclone unit full of dust?	Empty dust case or inside cyclone unit.
	Are filters clogged?	Dust down or wash high performance filter/HEPA filter/sponge sheet/mesh filter.
	Anything to block incoming air channels?	Clean any dust and objects out of air openings and channels.
	Is battery cartridge discharged?	Charge battery cartridge.
Not working	Is battery cartridge discharged?	Charge battery cartridge.
Noise and vibration	Are filters clogged?	Dust down or wash high performance filter/HEPA filter/sponge sheet/mesh filter.
	Anything to block openings or holes?	Clean any dust and objects out of nozzles, pipes and air openings.
	Is suction inlet of nozzle or pipe closed?	Uncover and open suction inlet of nozzle and pipe.

⚠ CAUTION: Do not attempt to repair the cleaner by yourself.

OPTIONAL ACCESSORIES

⚠ CAUTION: These accessories or attachments are recommended for use with your Makita tool specified in this manual. The use of any other accessories or attachments might present a risk of injury to persons. Only use accessory or attachment for its stated purpose.

If you need any assistance for more details regarding these accessories, ask your local Makita Service Center.

- Extension wand (Straight pipe)
- Nozzle
- Nozzle for carpet
- Shelf brush
- Corner nozzle
- Round brush
- Flexible hose
- High performance filter
- HEPA filter
- Seat nozzle
- Crevice nozzle
- Tool bag
- Makita genuine battery and charger

NOTE: Some items in the list may be included in the tool package as standard accessories. They may differ from country to country.

MAKITA LIMITED WARRANTY

Please refer to the annexed warranty sheet for the most current warranty terms applicable to this product. If annexed warranty sheet is not available, refer to the warranty details set forth at below website for your respective country.

United States of America: www.makitatools.com

Canada: www.makita.ca

Other countries: www.makita.com

SPÉCIFICATIONS

Modèle :		CL003G
Capacité		250 mL (0,07 gal.)
Utilisation continue (avec batterie BL4025)	1 (mode silencieux)	Environ 80 min
	2 (mode vitesse normale)	Environ 40 min
	3 (mode vitesse élevée)	Environ 25 min
	4 (mode vitesse max.)	Environ 16 min
Longueur totale (avec tuyau, buse et batterie BL4025)		1 106 mm (43-1/2")
Tension nominale		C.C. 36 V - 40 V max.
Poids net		1,9 - 2,6 kg (4,2 - 5,7 lbs)

- Étant donné l'évolution constante de notre programme de recherche et développement, les spécifications contenues dans ce manuel sont sujettes à modification sans préavis.
- Les spécifications peuvent varier suivant les pays.
- Le poids ne comprend pas les accessoires autres que la/les batterie(s). Les combinaisons la plus légère et la plus lourde d'appareil et de batterie(s) sont indiquées dans le tableau.

Batteries et chargeurs applicables

Batterie	BL4020* / BL4025* / BL4040* / BL4050F * : Batterie recommandée
Chargeur	DC40RA / DC40RB / DC40RC

- Suivant la région où vous habitez, il se peut que certaines des batteries et certains des chargeurs énumérés ci-dessus ne soient pas disponibles.

⚠ MISE EN GARDE : Utilisez exclusivement les batteries et chargeurs énumérés ci-dessus. L'utilisation de toute autre batterie ou tout autre chargeur peut entraîner une blessure et/ou un incendie.

CONSIGNES DE SÉCURITÉ

IMPORTANTES CONSIGNES DE SÉCURITÉ

Lors de l'utilisation d'un appareil électrique, vous devez toujours prendre des précautions de base, dont les suivantes :

CONSERVEZ CES INSTRUCTIONS.

MISE EN GARDE

Pour réduire les risques d'incendie, de décharge électrique et de blessure :

1. Ne quittez pas l'appareil alors que la batterie y est insérée. Retirez la batterie de l'appareil lorsqu'il n'est pas utilisé et avant de le faire réparer.
2. Ne l'utilisez pas sur des surfaces mouillées. Ne l'exposez pas à la pluie. Rangez-le à l'intérieur.
3. Ne laissez pas les enfants l'utiliser comme jouet. Une attention particulière est nécessaire lors de l'utilisation par les enfants ou près d'eux.
4. Utilisez l'outil uniquement de la façon décrite dans ce manuel. Utilisez uniquement les accessoires recommandés par le fabricant.

5. **Ne l'utilisez pas avec une batterie endommagée. Si l'appareil ne fonctionne pas bien, s'il a été échappé, endommagé, laissé à l'extérieur ou échappé dans l'eau, retournez-le à un centre de service après-vente.**
6. **Ne manipulez pas l'appareil avec les mains mouillées.**
7. **Ne mettez rien dans les ouvertures. N'utilisez jamais l'outil si une des ouvertures est bouchée ; gardez ces dernières exemptes de poussières, charpies, cheveux ou tout objet pouvant réduire la circulation de l'air.**
8. **Gardez les cheveux, les vêtements amples, les doigts et toute autre partie du corps à l'écart des ouvertures et des pièces en mouvement.**
9. **Mettez toutes les commandes hors tension avant de retirer la batterie.**
10. **Soyez tout particulièrement prudent lorsque vous nettoyez sur les marches d'un escalier.**
11. **Ne l'utilisez pas pour aspirer des liquides inflammables ou combustibles tels que l'essence, ou dans des zones où de tels liquides peuvent être présents.**
12. **N'aspirez pas d'objets qui brûlent ou dégagent de la fumée, tels que des cigarettes, des allumettes ou des cendres encore chaudes.**
13. **Ne l'utilisez pas sans avoir mis en place le sac à poussière et/ou les filtres.**
14. **Ne chargez pas la batterie à l'extérieur.**
15. **Évitez le démarrage accidentel. Assurez-vous que l'interrupteur est sur la position d'arrêt avant de connecter la batterie, de ramasser l'appareil ou de le transporter.**
Transporter l'appareil avec le doigt sur l'interrupteur, ou mettre l'appareil sous tension avec l'interrupteur en position de marche ouvre la porte aux accidents.
16. **Déconnectez la batterie de l'appareil avant d'effectuer tout réglage, de remplacer les accessoires ou de ranger l'appareil.** Ces mesures de sécurité préventives réduiront le risque de démarrage accidentel de l'appareil.
17. **Ne rechargez la batterie qu'avec le chargeur spécifié par le fabricant.**
Un chargeur adéquat pour un type donné de batterie peut entraîner un risque d'incendie lorsque utilisé avec un autre type de batterie.
18. **Utilisez les appareils uniquement avec les batteries spécifiquement désignées.** L'utilisation de toute autre batterie peut entraîner un risque de blessure et d'incendie.
19. **Lorsque la batterie n'est pas utilisée, gardez-la à l'écart des autres objets métalliques tels que trombones, pièces de monnaie, clés, clous, vis et autres petits objets métalliques qui peuvent établir une connexion entre deux bornes.** Le court-circuitage des bornes de batterie peut causer des brûlures ou un incendie.
20. **Dans des conditions d'utilisation abusives, du liquide peut être éjecté de la batterie; évitez tout contact. En cas de contact accidentel, rincez à l'eau. Si le liquide entre en contact avec les yeux, consultez aussi un médecin.** Le liquide éjecté de la batterie peut causer de l'irritation ou des brûlures.
21. **N'utilisez pas une batterie ou un appareil endommagé ou modifié. Les batteries endommagées ou modifiées peuvent avoir un comportement imprévisible dont peuvent résulter un incendie, une explosion ou un risque de blessure.**
22. **N'exposez pas une batterie ou un appareil au feu ou à une température excessive. L'exposition au feu ou à une température supérieure à 130 °C peut entraîner une explosion.**
23. **Respectez toutes les instructions de charge, et ne chargez pas la batterie ou l'appareil hors de la plage de température spécifiée dans les instructions.** Charger de manière inadéquate ou à des températures hors de la plage spécifiée peut endommager la batterie et fait augmenter le risque d'incendie.

24. L'entretien doit être confié à un réparateur qualifié et n'utilisant que des pièces de rechange identiques aux pièces d'origine. Cela assurera le maintien du produit dans un état sécuritaire.
25. **Ne modifiez pas ou n'essayez pas de réparer l'appareil ou la batterie autrement que tel qu'indiqué dans les instructions d'utilisation et d'entretien.**

CONSERVEZ CES INSTRUCTIONS.

RÈGLES DE SÉCURITÉ SUPPLÉMENTAIRES

Cet appareil est conçu pour un usage commercial.

1. Lisez attentivement ce mode d'emploi et le mode d'emploi du chargeur avant d'utiliser l'appareil.
2. N'utilisez pas l'appareil pour aspirer les matières suivantes :
 - Liquides inflammables (kérosène, essence, solvants tels que benzine, diluant, etc.)
 - Substances chaudes qui brûlent ou dégagent de la fumée (cigarettes, allumettes, bâtons d'encens, chandelles, cendres chaudes), étincelles et poussières métalliques générées par la coupe ou le meulage du métal, etc.
 - Matières inflammables (encre en poudre, peinture, substance vaporisée, etc.)
 - Mousses telle qu'agent de nettoyage pour tapis, etc. (elles peuvent causer une explosion ou un incendie)
 - Substances explosives ou pyrophoriques (nitroglycérine, aluminium, magnésium, titane, zinc, phosphore rouge, phosphore jaune, celluloid, etc., et leurs poussières, gaz ou vapeurs)

- Objets tranchants (verre, coutellerie, éclat de bois, métal, pierre, clou, rasoir, punaise, etc.)
- Poudre fine solidifiante et conductrice (poudre de métal ou de carbone)
- Déshydrateur
- Grande quantité de poudre (farine, poudre d'extincteur, etc.)
- Substances qui causent des symptômes d'intoxication
- Produits chimiques corrosifs (acide, lixiviat, etc.)
- Déchets liquides ou humides, y compris vomi et excréments
- Amiante
- Pesticides

Ces applications peuvent causer un incendie, une blessure et/ou des dommages matériels.

Pour réduire le risque d'exposition à ces produits chimiques, portez toujours des dispositifs de protection respiratoire approuvés, tels que des masques antipoussières spécialement conçus pour filtrer les particules microscopiques. Dirigez l'air évacué loin de votre visage et de votre corps.

3. Arrêtez immédiatement votre outil dès que vous observez quelque chose d'anormal.
4. Si vous échappez ou heurtez l'aspirateur, vérifiez soigneusement l'absence de fissures ou dommages avant de l'utiliser à nouveau.
5. Ne l'approchez pas du four ni de toute autre source de chaleur.
6. N'obstruez pas le trou d'admission ou les trous d'évent.

CONSERVEZ CES INSTRUCTIONS.

Symboles

Les symboles utilisés pour l'outil sont indiqués ci-dessous.

v	volts
— — —	courant continu

Consignes de sécurité importantes pour la batterie

1. Avant d'utiliser la batterie, lisez toutes les instructions et les mises en garde apposées sur (1) le chargeur de batterie, (2) la batterie et (3) le produit utilisant la batterie.
2. Ne démontez pas et ne modifiez pas la batterie. Cela peut entraîner un incendie, une chaleur excessive ou une explosion.
3. Si la durée de fonctionnement diminue considérablement, cessez immédiatement l'utilisation. Cela comporte un risque de surchauffe et de brûlures, voire d'explosion.
4. Si l'électrolyte pénètre dans vos yeux, rincez-les à l'eau limpide et consultez immédiatement un médecin. Il existe un risque de perte de la vue.
5. Ne court-circuitez pas la batterie :
 - (1) Ne touchez les bornes avec aucun matériau conducteur.
 - (2) Évitez de ranger la batterie dans un contenant avec d'autres objets métalliques tels que des clous, des pièces de monnaie, etc.
 - (3) Évitez d'exposer la batterie à l'eau ou à la pluie.

Un court-circuit de la batterie pourrait provoquer un fort courant, une surchauffe, parfois des brûlures et même une panne.
6. Ne rangez pas et n'utilisez pas l'outil ou la batterie dans des emplacements où la température peut atteindre ou dépasser 50 °C (122 °F).
7. Ne jetez pas la batterie au feu même si elle est sérieusement endommagée ou complètement épuisée. La batterie peut exploser au contact du feu.
8. Évitez de clouer, de couper, d'écraser, de lancer ou d'échapper la batterie, ou de heurter un objet dur contre la batterie. Cela peut entraîner un incendie, une chaleur excessive ou une explosion.
9. N'utilisez pas une batterie si elle est endommagée.
10. Les batteries lithium-ion fournies sont soumises aux exigences de la législation sur les marchandises dangereuses.

Des exigences particulières sur l'emballage et l'étiquetage doivent être respectées lors du transport commercial par des tiers, des transitaires, etc.

Pour préparer la marchandise à expédier, consultez un expert en matériaux dangereux si nécessaire. Respectez aussi les éventuelles réglementations nationales plus détaillées.

Recouvrez de ruban isolant les contacts exposés et emballez la batterie de sorte qu'elle ne puisse pas se déplacer à l'intérieur de l'emballage.
11. Lors de l'élimination de la batterie, retirez-la de l'outil et éliminez-la dans un endroit sûr. Respectez la réglementation locale concernant l'élimination de la batterie.
12. N'utilisez les batteries qu'avec les produits spécifiés par Makita. Installer les batteries sur des produits non conformes peut entraîner un incendie, une chaleur excessive, une explosion ou une fuite d'électrolyte.
13. Si l'outil reste inutilisé pour une période prolongée, la batterie doit en être retirée.
14. Pendant et après l'utilisation, la batterie peut accumuler de la chaleur, ce qui peut causer des brûlures ou des brûlures à basse température. Faites attention lors de la manipulation des batteries chaudes.

15. **Ne touchez pas la borne de l'outil immédiatement après l'utilisation, car elle peut être assez chaude pour causer des brûlures.**
16. **Ne laissez pas les copeaux, les poussières ou la terre se coincer dans les bornes, les trous et les rainures de la batterie. Cela peut entraîner un fonctionnement médiocre ou une panne de l'outil ou de la batterie.**
17. **À moins que l'outil ne soit compatible avec l'utilisation à proximité des lignes électriques haute tension, n'utilisez pas la batterie à proximité d'une ligne électrique haute tension. Cela peut entraîner un dysfonctionnement ou une panne de l'outil ou de la batterie.**
18. **Gardez la batterie à l'écart des enfants.**

CONSERVEZ CES INSTRUCTIONS.

⚠ATTENTION : Utilisez exclusivement les batteries fabriquées par Makita. Les batteries autres que celles fabriquées par Makita ou les batteries modifiées peuvent exploser et causer un incendie, une blessure ou des dommages. Cela annule aussi la garantie Makita de l'outil et du chargeur Makita.

Conseils pour maintenir la durée de service maximale de la batterie

1. **Rechargez la batterie avant qu'elle ne soit complètement déchargée. Arrêtez toujours l'outil et rechargez la batterie quand vous remarquez que la puissance de l'outil diminue.**
2. **Ne rechargez jamais une batterie complètement chargée. La surcharge réduit la durée de service de la batterie.**
3. **Chargez la batterie à une température ambiante comprise entre 10 °C et 40 °C (50 °F et 104 °F). Si la batterie est chaude, laissez-la refroidir avant de la charger.**
4. **Lorsque vous n'utilisez pas la batterie, retirez-la de l'outil ou du chargeur.**
5. **Chargez la batterie si elle est restée inutilisée pendant une période prolongée (plus de six mois).**

DESCRIPTION DU FONCTIONNEMENT

⚠ATTENTION : Assurez-vous toujours que l'outil est éteint et que sa batterie est retirée avant de l'ajuster ou de vérifier son fonctionnement.

⚠ATTENTION : Veillez à ne pas vous coincer les doigts entre l'aspirateur et la batterie lorsque vous chargez cette dernière, comme indiqué sur le schéma. Vous pourriez vous blesser en vous coincant les doigts.

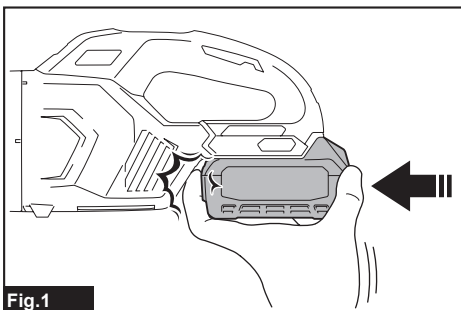


Fig.1

Installation ou retrait de la batterie

⚠ATTENTION : Éteignez toujours l'outil avant d'installer ou de retirer la batterie.

⚠ATTENTION : Tenez fermement l'outil et la batterie lors de l'installation ou du retrait de cette dernière. Si l'outil et la batterie ne sont pas tenus fermement, ils risquent de vous glisser des mains et de subir des dommages, ou encore de vous blesser.

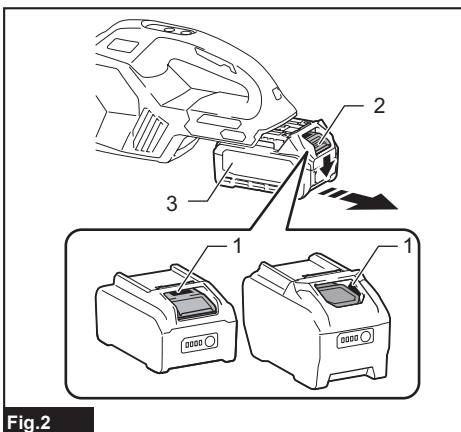


Fig.2

► 1. Indicateur rouge 2. Bouton 3. Batterie

Pour retirer la batterie, faites-la glisser hors de l'outil tout en glissant le bouton qui se trouve à l'avant.

Pour installer la batterie, alignez sa languette sur la rainure pratiquée dans le boîtier et glissez la batterie en place. Insérez-la à fond jusqu'à ce que vous entendiez un léger dé clic. Si vous pouvez voir l'indicateur rouge tel qu'illustré sur la figure, cela signifie qu'elle n'est pas complètement verrouillée.

⚠ ATTENTION : Installez toujours la batterie à fond jusqu'à ce que vous ne puissiez plus voir l'indicateur rouge. Autrement elle risque de tomber accidentellement de l'outil et d'entraîner des blessures.

⚠ ATTENTION : Ne forcez pas sur la batterie pour l'installer. Si la batterie ne glisse pas facilement, c'est qu'elle n'est pas insérée correctement.

Dispositif de protection de la batterie

L'outil est équipé d'un dispositif de protection de l'outil et de la batterie. Ce dispositif coupe automatiquement l'alimentation du moteur pour prolonger la durée de service de l'outil et de la batterie. L'outil s'arrête automatiquement pendant l'utilisation lorsque l'outil ou la batterie est dans l'une des situations suivantes.

En surcharge :

L'outil/batterie est utilisé d'une manière entraînant une consommation anormale de courant. Dans cette situation, éteignez l'outil et arrêtez l'application qui a causé la surcharge de l'outil. Allumez ensuite l'outil pour redémarrer.

Si l'outil ne démarre pas, l'outil/batterie est en surchauffe. Le cas échéant, laissez refroidir l'outil ou la batterie avant de rallumer l'outil.

Tension de la batterie faible :

La charge restante de la batterie est trop faible pour que l'outil puisse fonctionner. Dans cette situation, retirez et rechargez la batterie.

Protections contre d'autres causes :

Le dispositif de protection est aussi conçu pour d'autres causes qui pourraient endommager l'outil et permet d'arrêter automatiquement l'outil. Prenez toutes les mesures suivantes pour éliminer les causes lorsque le fonctionnement de l'outil a été interrompu temporairement ou arrêté.

1. Éteignez l'outil et remettez-le de nouveau en marche.
2. Chargez la/les batterie(s) ou remplacez-la/les par une/des batterie(s) rechargée(s).
3. Laissez l'outil et la/les batterie(s) se refroidir.

Si la situation ne s'améliore pas en restaurant le dispositif de protection, contactez votre centre de service Makita local.

Affichage de la charge restante de la batterie

Appuyez sur le bouton de vérification de la batterie pour afficher la charge restante de la batterie. Les témoins indicateurs s'allument pendant quelques secondes.

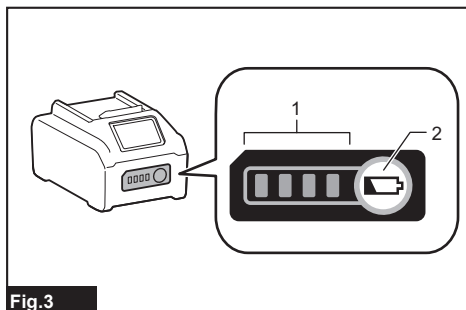


Fig.3

► 1. Témoins indicateurs 2. Bouton de vérification

Témoins indicateurs			Charge restante
Allumé	Éteint	Clignotant	
■ ■ ■ ■ ■			75 % à 100 %
■ ■ ■ □			50 % à 75 %
■ ■ □ □			25 % à 50 %
■ □ □ □			0 % à 25 %
▬ □ □ □			Chargez la batterie.
■ ■ □ □			La batterie a peut-être mal fonctionné.
□ □ ■ ■			

NOTE : Suivant les conditions d'utilisation et la température ambiante, il se peut que l'indication soit légèrement différente de la charge réelle.

NOTE : La première lampe témoin (à l'extrémité gauche) clignote lorsque le dispositif de protection de la batterie s'active.

Interrupteur

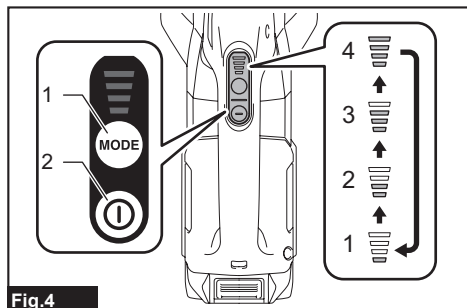


Fig.4

- 1. Bouton de changement de la puissance d'aspiration
2. Bouton ON/OFF (marche/arrêt)

Pour démarrer l'aspirateur, appuyez simplement sur le bouton ON/OFF. Pour l'éteindre, appuyez sur le bouton ON/OFF de nouveau.

Vous pouvez changer la puissance d'aspiration de l'aspirateur en quatre étapes en appuyant sur le bouton de changement de la puissance d'aspiration. Chaque pression de ce bouton répète le mode Silencieux/Vitesse normale/Vitesse élevée/Max de façon cyclique.

Niveau	Indication	Mode
1		Mode silencieux
2		Mode vitesse normale
3		Mode de vitesse élevée
4		Mode vitesse max.

NOTE : Vous pouvez changer la puissance d'aspiration avant de mettre l'aspirateur en marche.

NOTE : L'aspirateur commence à fonctionner avec la même puissance d'aspiration que lors de son dernier fonctionnement.

Allumer la lampe

ATTENTION : Évitez de regarder directement le faisceau lumineux ou sa source.

Pour allumer la lampe, appuyez sur le bouton de changement de la puissance d'aspiration. La lampe s'éteint en environ 10 secondes. Pendant que l'aspirateur fonctionne, la lampe s'allume. La lampe s'éteint environ 10 secondes après l'arrêt du fonctionnement.

NOTE : Lorsque la charge restante de la batterie devient basse, la lampe se met à clignoter. Le moment où la lampe se met à clignoter dépend de la température du lieu de travail et de l'état de la batterie.

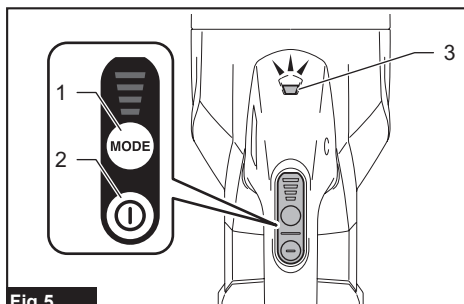


Fig.5

- 1. Bouton de changement de la puissance d'aspiration
2. Bouton ON/OFF (marche/arrêt) 3. Lampe

DESCRIPTION DES PIÈCES

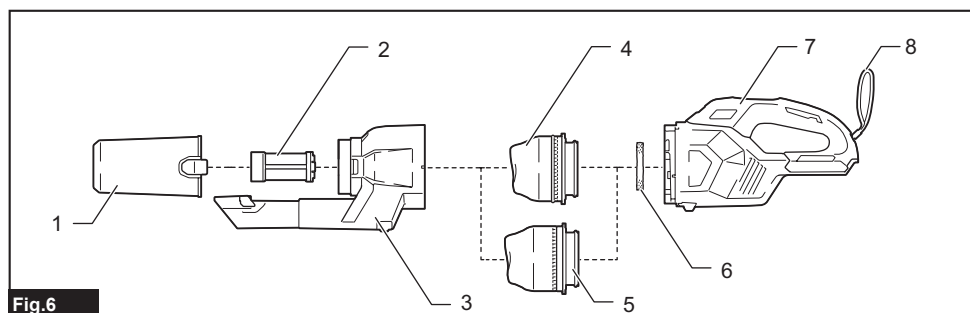


Fig.6

1	Compartment à poussière 250 mL (0,07 gal.)	2	Filtre à tamis	3	Boîtier cyclone	4	Filtre haute performance (cadre de filtre gris) (accessoire optionnel)
5	Filtre HEPA (cadre de filtre blanc) (accessoire optionnel)	6	Feuille éponge	7	Corps de l'aspirateur	8	Courroie à main (spécifique au pays)

ASSEMBLAGE

⚠ ATTENTION : Assurez-vous toujours que l'outil est éteint et que sa batterie est retirée avant d'effectuer tout travail dessus.

AVIS : Assurez-vous que tous les accessoires et composants sont solidement fixés en place avant utilisation.

Pose et retrait d'accessoires d'aspirateur

⚠ ATTENTION : Après avoir installé les accessoires, assurez-vous qu'ils sont solidement installés. Si les accessoires ne sont pas bien installés, ils peuvent se détacher et entraîner une blessure.

⚠ ATTENTION : Prenez garde de vous heurter la main contre le mur, etc., en retirant les accessoires.

Lors de l'utilisation du collecteur avec fonction de verrouillage

Pour installer le collecteur, insérez-le dans l'entrée d'aspiration de l'aspirateur jusqu'à ce qu'il émette un léger bruit sec. Assurez-vous que le collecteur est verrouillé.

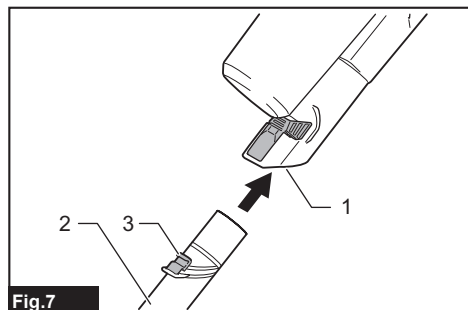


Fig.7

► 1. Entrée d'aspiration 2. Collecteur avec fonction de verrouillage 3. Crochet

AVIS : Lors de l'installation du collecteur avec fonction de verrouillage, veillez à aligner le bouton de libération de l'aspirateur sur le crochet du collecteur. S'ils ne sont pas alignés, le collecteur ne se verrouillera pas et risque de se détacher de l'aspirateur.

Pour retirer le collecteur, tirez-le de l'aspirateur en appuyant et en tenant les taquets du bouton de libération.

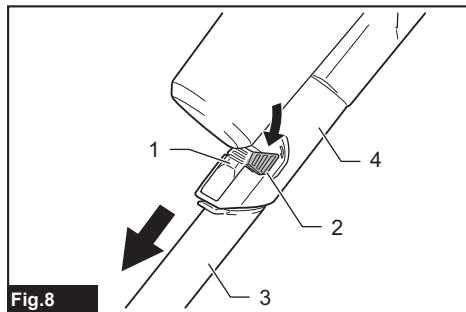


Fig.8

► 1. Bouton de libération 2. Taquet du bouton de libération 3. Collecteur avec fonction de verrouillage 4. Entrée d'aspiration

Lors de l'utilisation du collecteur sans fonction de verrouillage

AVIS : Pour installer le collecteur sans fonction de verrouillage, insérez-le dans l'entrée d'aspiration de l'aspirateur en le tournant comme illustré dans la figure. Pour détacher le collecteur, libérez-le de l'aspirateur en le tournant comme indiqué dans la figure. Évitez de tourner le collecteur dans le sens opposé à celui de la flèche dans la figure, car cela pourrait desserrer l'unité cyclone.

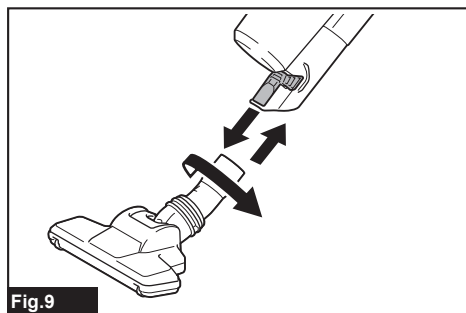


Fig.9

UTILISATION

ATTENTION : N'approchez pas votre visage de l'orifice d'aération pendant l'utilisation de l'aspirateur. Il y a risque de blessure si des corps étrangers sont soufflés dans vos yeux.

AVIS : Évitez d'utiliser l'aspirateur dans une position horizontale ou orientée vers le haut. Cela risquerait de boucher le filtre à tamis.

AVIS : Utilisez toujours l'aspirateur avec les filtres installés. Utiliser l'aspirateur sans les filtres peut entraîner un dysfonctionnement du moteur.

AVIS : Videz le compartiment à poussière de l'unité cyclone lorsque de la poussière s'y est accumulée. Continuer l'utilisation entraînerait une diminution de la force de succion.

L'unité cyclone aide à réduire la quantité de poussière qui entre dans l'aspirateur, ce qui augmente la capacité d'aspiration avec une élimination simple et facile de la poussière.

Nettoyage (fonction d'aspiration)

Buse

Fixez la buse pour nettoyer les tables, bureaux et autres meubles, etc. La buse glisse très facilement en place.

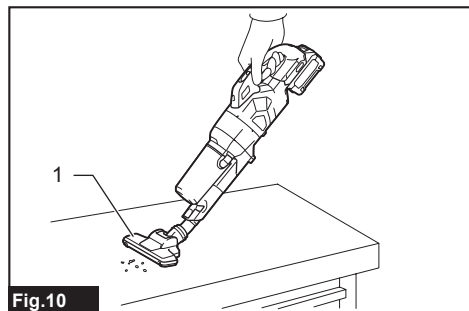


Fig.10

► 1. Buse

Buse + tube de rallonge (tuyau rectiligne)

Le tube de rallonge s'installe entre la buse et l'aspirateur. Cette configuration est pratique pour nettoyer un plancher en position debout.

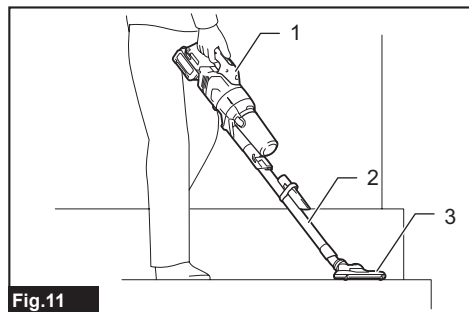


Fig.11

► 1. Corps de l'aspirateur 2. Tube de rallonge 3. Buse

Buse à angle

Vous pouvez aussi l'utiliser avec la buse à angle pour nettoyer les fentes et les recoins de la voiture ou du mobilier.

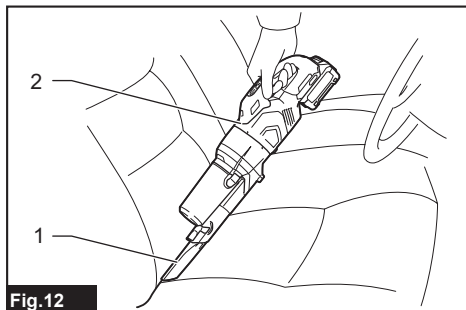


Fig.12

► 1. Buse à angle 2. Corps de l'aspirateur

Vous pouvez ranger la buse à angle dans le porte-buse.

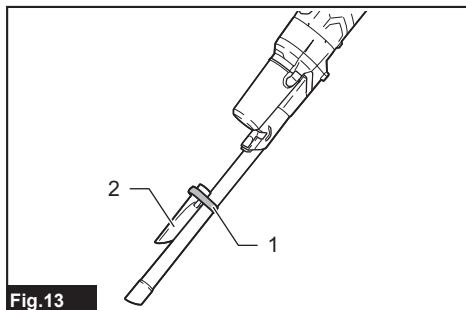


Fig.13

► 1. Porte-buse 2. Buse à angle

ATTENTION : Prenez soin de ne pas pincer vos doigts entre la buse à angle et le porte-buse. Vous pourriez vous blesser en vous coinçant les doigts.

Buse à angle + tube de rallonge (tuyau rectiligne)

Utilisez cette configuration dans les endroits trop étroits pour l'aspirateur ou hors de portée parce que trop élevés.

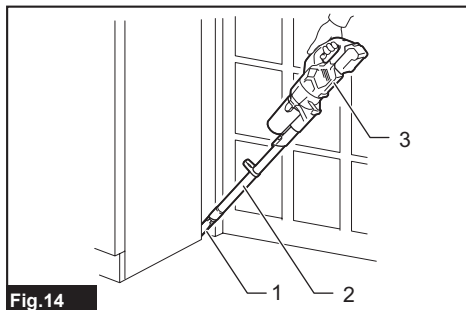


Fig.14

► 1. Buse à angle 2. Tube de rallonge 3. Corps de l'aspirateur

Nettoyage sans buse

Sans buse, l'aspirateur peut tout de même ramasser la poudre et la poussière.

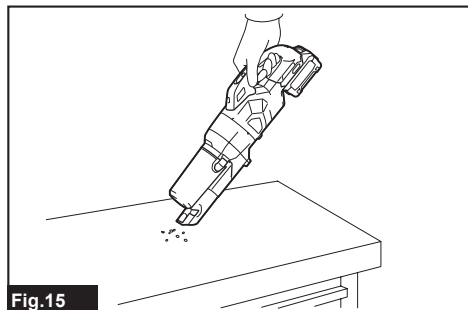


Fig.15

Pour collecter les poussières du plancher en position debout, il est pratique de fixer le tube de rallonge (tuyau rectiligne) à l'aspirateur.

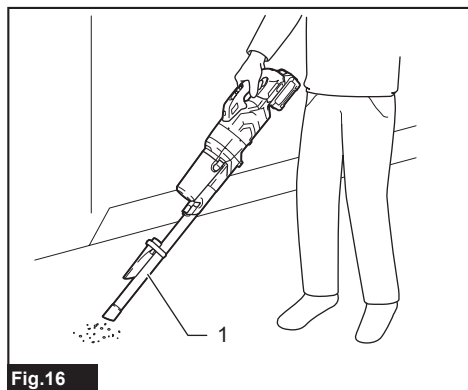


Fig.16

► 1. Tube de rallonge

Élimination de la poussière

⚠ ATTENTION : Videz l'aspirateur avant qu'il ne soit plein pour éviter une réduction de la puissance de succion.

⚠ ATTENTION : Prenez soin de ne pas vous prendre un/des doigt(s) entre le compartiment à poussière et le boîtier cyclone lors du réassemblage.

Jetez la poussière accumulée comme suit avant qu'elle ne dépasse la ligne d'élimination de la poussière.

1. Pointez la tête de l'aspirateur vers le bas, tenez le compartiment à poussière fermement, puis détachez-le du boîtier cyclone en tirant tout en appuyant et en tenant les boutons de libération des deux côtés du compartiment à poussière.

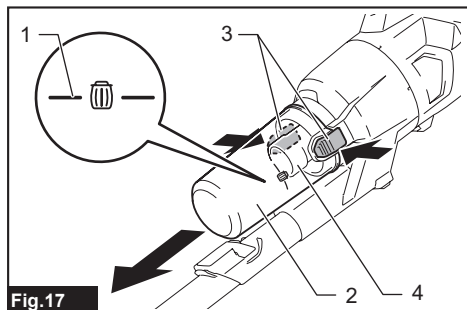


Fig.17

► 1. Ligne d'élimination de la poussière
2. Compartiment à poussière 3. Boutons de libération 4. Filtre à tamis

2. Videz le compartiment à poussière et nettoyez la poussière collée sur le filtre à tamis.

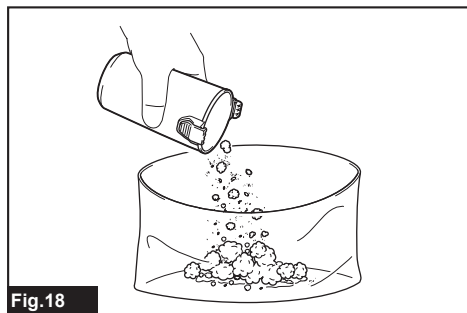


Fig.18

3. Placez le compartiment à poussière sur le boîtier cyclone pour le fixer en place avec des clics.

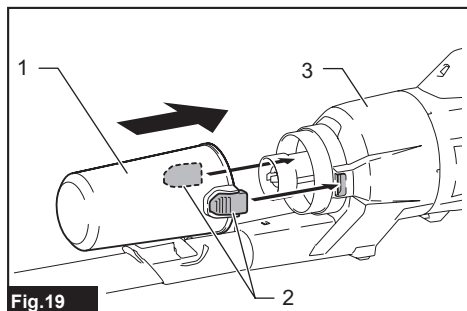


Fig.19

► 1. Compartiment à poussière 2. Boutons de libération 3. Boîtier cyclone

⚠ ATTENTION : De la poussière pourrait voler lors de son élimination du compartiment à poussière. Prenez soin de ne pas laisser la poussière entrer dans vos yeux.

AVIS : Lorsque le compartiment à poussière devient sale, retirez-le et lavez-le avec de l'eau. Séchez le compartiment à poussière complètement avant de procéder au réassemblage et à l'utilisation.

AVIS : Assurez-vous que tous les accessoires et composants sont solidement fixés en place avant utilisation.

AVIS : Si la force d'aspiration n'est pas rétablie même après que vous avez jeté la poussière et nettoyé le filtre à tamis, vérifiez s'il y a accumulation de poussière à l'intérieur du boîtier cyclone ou si une obstruction s'est produite.

ENTRETIEN

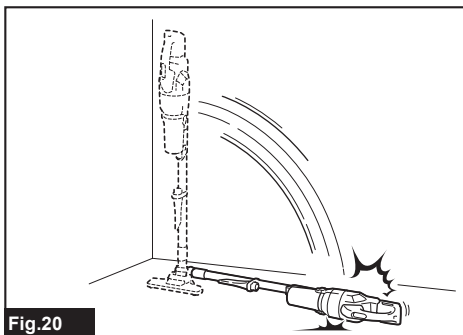
⚠ATTENTION : Assurez-vous toujours que l'outil est hors tension et que la batterie est retirée avant d'y effectuer tout travail d'inspection ou d'entretien.

AVIS : N'utilisez jamais d'essence, de benzine, de solvant, d'alcool ou autres produits similaires. Une décoloration, une déformation ou la formation de fissures peuvent en découler.

Pour maintenir la SÉCURITÉ et la FIABILITÉ du produit, les réparations et tout autre travail d'entretien ou de réglage doivent être effectués dans un centre de service après-vente autorisé ou une usine Makita, exclusivement avec des pièces de rechange Makita.

Après l'utilisation

⚠ATTENTION : L'aspirateur risque de tomber, et par conséquent d'entraîner des blessures corporelles et de subir des dommages si vous le mettez contre le mur sans aucun autre soutien.



Entretien régulier

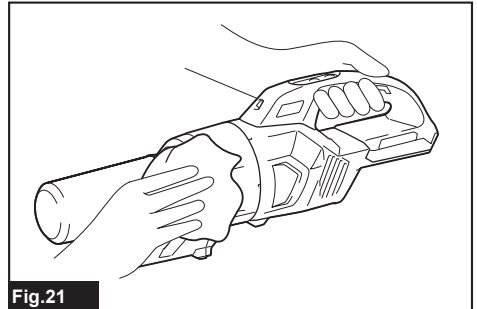
AVIS : Nettoyez les filtres dans l'unité cyclone lorsqu'ils deviennent obstrués. L'utilisation continue à l'état bouché peut entraîner une surchauffe ou une défaillance du moteur.

AVIS : Ne soufflez pas les poussières qui adhèrent à l'aspirateur et aux filtres avec un dépoussiérant à air. Cela ferait pénétrer les poussières dans le boîtier et causerait une panne.

Un entretien de routine est requis pour restaurer les conditions normales de fonctionnement.

Corps de l'aspirateur

Essuyez l'extérieur (le corps) de l'aspirateur avec un chiffon imprégné d'eau savonneuse, et nettoyez les ouvertures d'aspiration.



Unité cyclone et filtres

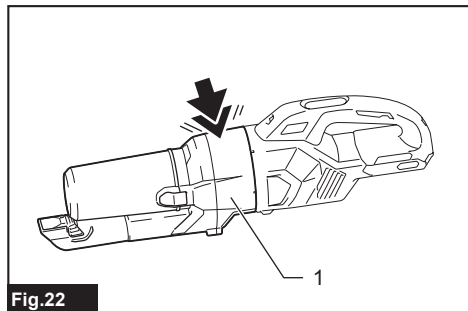
AVIS : Époussetez et nettoyez l'intérieur de l'unité cyclone et les filtres lorsque la capacité d'aspiration devient moins efficace, peu importe la quantité de poussière collectée dans le compartiment à poussière.

AVIS : Après avoir lavé les filtres, laissez-les sécher complètement avant l'utilisation. Des filtres mal séchés peuvent causer une mauvaise aspiration et écourter la durée de vie du moteur.

AVIS : Après avoir nettoyé les filtres et la feuille éponge, n'oubliez pas de les réinstaller avant l'utilisation. Si vous utilisez l'aspirateur sans filtres ni feuille éponge, les poussières pénétreront dans le boîtier du moteur et causeront un dysfonctionnement.

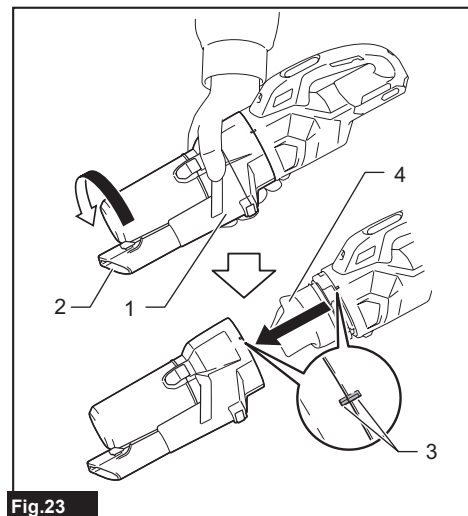
Unité cyclone

1. Frappez l'unité cyclone plusieurs fois avec votre main pour retirer la poussière adhérent à la surface interne de l'unité cyclone et du filtre.



► 1. Unité cyclone

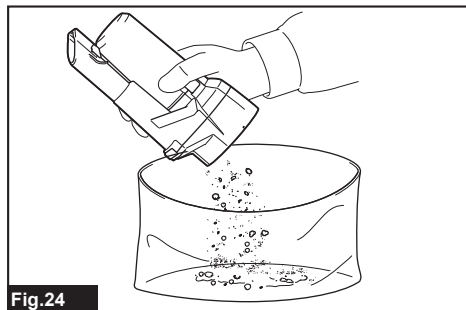
2. Avec l'entrée d'aspiration orientée vers le bas, tournez l'unité cyclone comme illustré dans la figure en alignant le pointeur sur l'unité cyclone avec celui du corps de l'aspirateur, pour désengager le verrou. Puis, détachez lentement en ligne droite l'unité cyclone du corps de l'aspirateur.



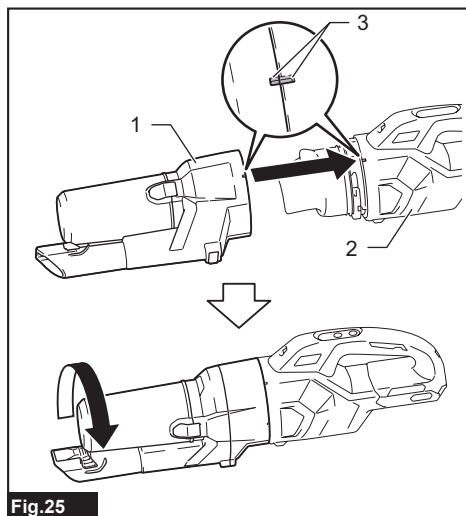
► 1. Unité cyclone 2. Entrée d'aspiration 3. Pointeurs 4. Filtre

NOTE : De la poussière pourrait s'échapper de l'unité cyclone lorsqu'elle est désassemblée. Il est recommandé de placer un sac à ordures en dessous de l'unité cyclone.

3. Époussetez l'intérieur de l'unité cyclone et du filtre.



4. Remettez l'unité cyclone sur le corps de l'aspirateur, en alignant le pointeur de l'unité cyclone avec celui du corps de l'aspirateur. Puis, tournez l'unité cyclone, comme illustré dans la figure, jusqu'à ce qu'elle soit solidement en place.



► 1. Unité cyclone 2. Corps de l'aspirateur 3. Pointeurs

Filtere haute performance

Accessoire en option

1. Désassemblez l'unité cyclone du corps de l'aspirateur.
2. Tenez l'extrémité de montage du filtre haute performance et retirez-la du corps de l'aspirateur en la tirant.

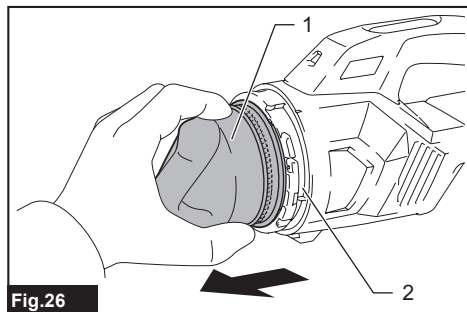


Fig.26

- 1. Filtre haute performance 2. Corps de l'aspirateur

3. Essuyez et secouez la poussière du filtre haute performance à la main.



Fig.27

4. Nettoyez le filtre haute performance dans de l'eau savonneuse lorsqu'il est obstrué par la poussière et la saleté. Faites-le sécher entièrement à l'ombre avant utilisation.

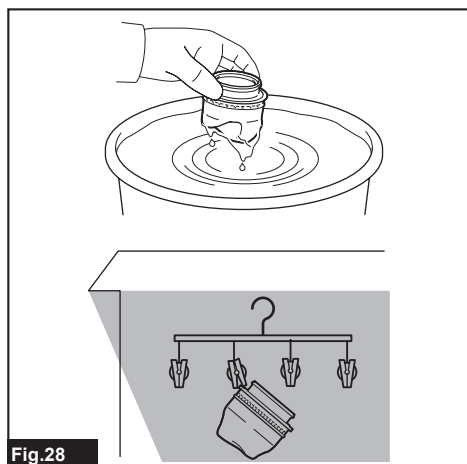


Fig.28

NOTE : Évitez de raccorder l'extrémité de l'accessoire (bague d'étanchéité en caoutchouc) du filtre haute performance lorsque vous le suspendez pour le sécher.

5. Tenez l'extrémité de montage du filtre haute performance et remettez-la sur le corps de l'aspirateur en la pressant.

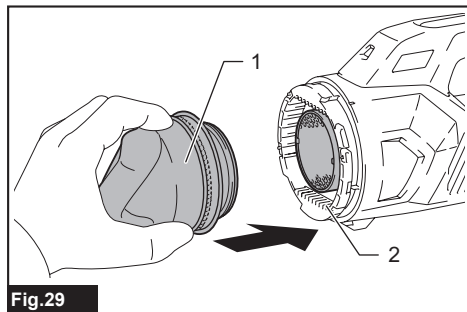


Fig.29

- 1. Filtre haute performance 2. Corps de l'aspirateur

Filtere HEPA

Accessoire en option

AVIS : Évitez de frotter ou rayer le filtre HEPA avec des objets durs tels que brosses et palettes.

1. Désassemblez l'unité cyclone du corps de l'aspirateur.
2. Tenez l'extrémité de montage du filtre HEPA (recouverte d'un préfiltre haute performance) et retirez-la du corps de l'aspirateur en la tirant.

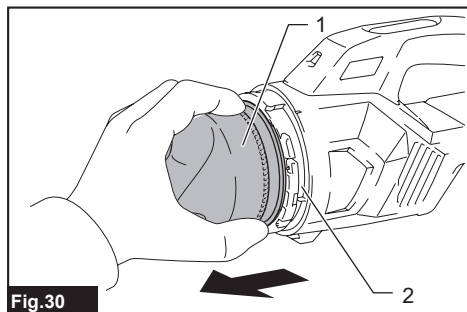


Fig.30

- 1. Filtre HEPA (recouvert par un préfiltre haute performance) 2. Corps de l'aspirateur

3. Désassemblez le préfiltre haute performance du filtre HEPA en tournant à la main.

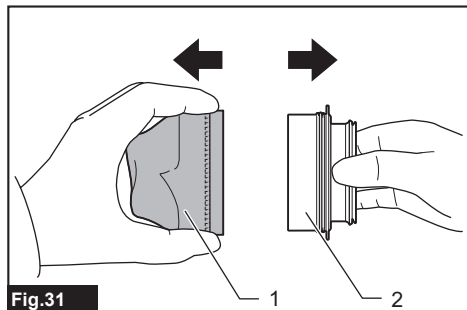


Fig.31

► 1. Préfiltre haute performance 2. Filtre HEPA

4. Essayez et secouez la poussière du préfiltre haute performance et du filtre HEPA à la main.

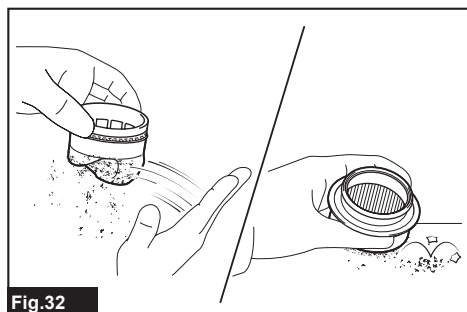


Fig.32

5. Lavez le préfiltre haute performance et le filtre HEPA dans de l'eau savonneuse. Rincez-les et faites-les sécher entièrement à l'ombre avant utilisation.

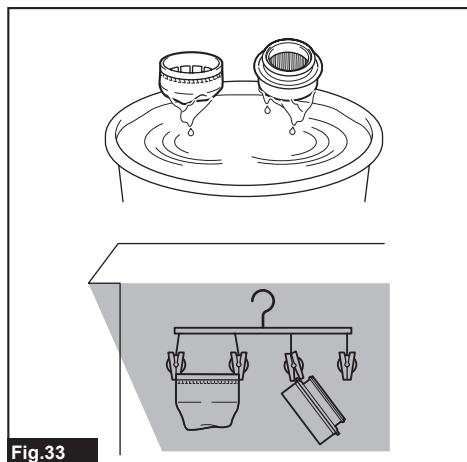


Fig.33

NOTE : Évitez de raccorder l'extrémité de l'accessoire (bague d'étanchéité en caoutchouc) du filtre HEPA lorsque vous le suspendez pour le sécher.

6. Raccordez le préfiltre haute performance sur le filtre HEPA.

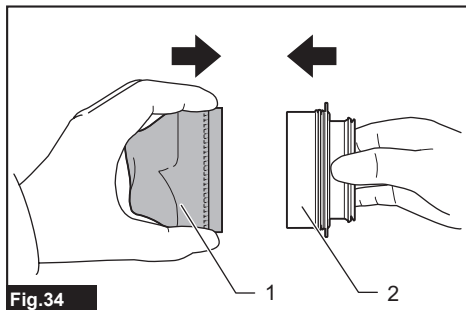


Fig.34

► 1. Préfiltre haute performance 2. Filtre HEPA

7. Tenez l'extrémité de montage du filtre HEPA (recouverte d'un préfiltre haute performance) et remettez-la sur le corps de l'aspirateur en la pressant.

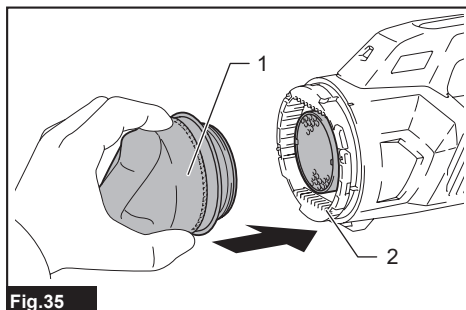


Fig.35

► 1. Filtre HEPA (recouvert par un préfiltre haute performance) 2. Corps de l'aspirateur

Feuille éponge

1. Désassemblez l'unité cyclone du corps de l'aspirateur.

2. Tenez l'extrémité de montage du filtre et retirez-la du corps de l'aspirateur en la tirant.

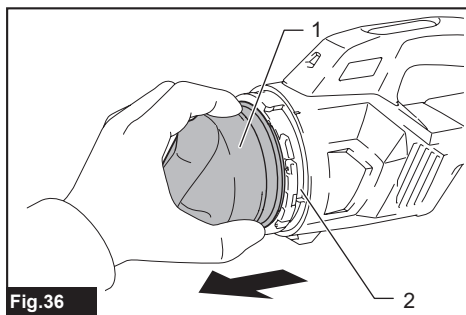


Fig.36

► 1. Filtre 2. Corps de l'aspirateur

3. Tirez la feuille éponge de l'ouverture d'aspiration.

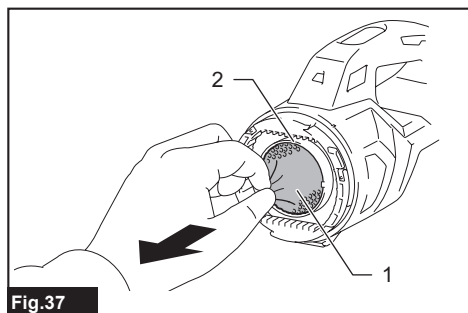


Fig.37

► 1. Feuille éponge 2. Ouverture d'aspiration

4. Essuyez et secouez à la main la poussière de la feuille éponge.

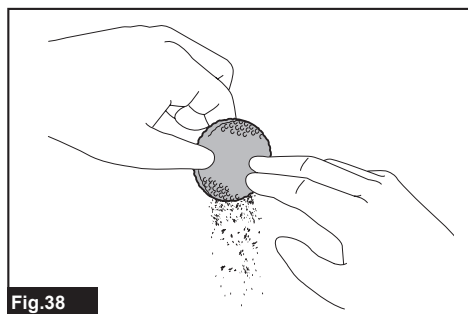


Fig.38

5. Nettoyez la feuille éponge avec de l'eau savonneuse lorsqu'elle est obstruée par de la poussière et de la saleté. Faites-la sécher entièrement à l'ombre avant utilisation.

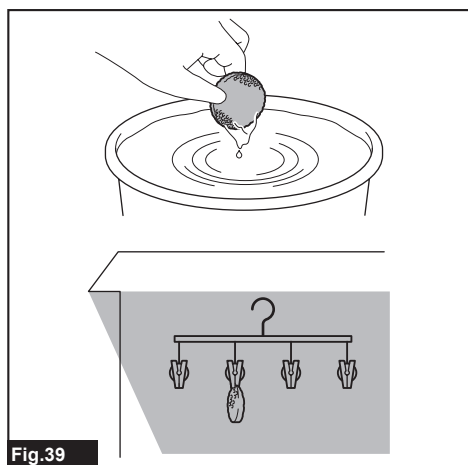


Fig.39

6. Remettez la feuille éponge à sa position originale. Assurez-vous que les bords gauche et droit de la feuille éponge sont bien fixés avec des butées et qu'il n'y a aucun espace entre la feuille éponge et l'ouverture d'aspiration.

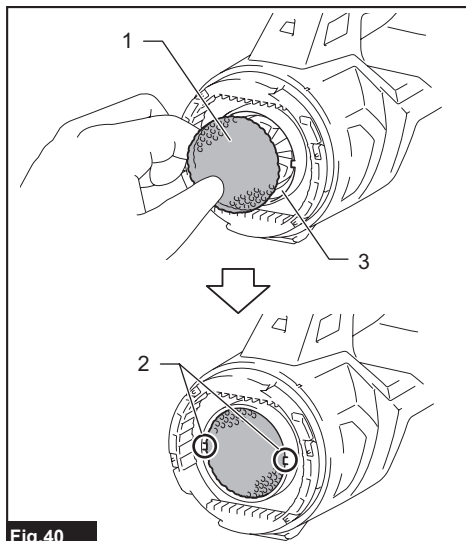


Fig.40

► 1. Feuille éponge 2. Butée 3. Ouverture d'aspiration

7. Tenez l'extrémité de montage du filtre et remettez-la sur le corps de l'aspirateur en la pressant.

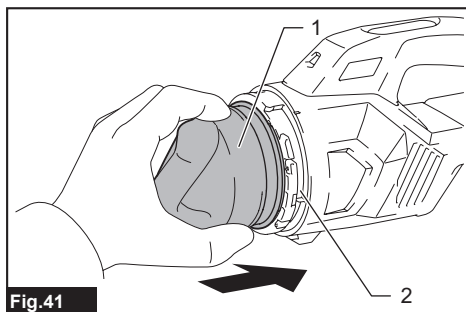


Fig.41

► 1. Filtre 2. Corps de l'aspirateur

Entretien en fonction de l'état

AVIS : Nettoyez le filtre à tamis dans l'unité cyclone lorsqu'il devient obstrué. L'utilisation continue à l'état bouché peut entraîner une surchauffe ou une défaillance du moteur.

Le nettoyage en profondeur et localisé doit être réalisé conformément à la performance de votre outil.

Filter à tamis

Lorsque le compartiment à poussière est sale ou que le filtre à tamis est bouché, retirez-les et lavez-les avec de l'eau. (Pour la procédure de retrait, reportez-vous à « Élimination de la poussière ».)

1. Tenez le compartiment à poussière fermement, puis détachez-le du boîtier cyclone en tirant tout en appuyant et en tenant les boutons de libération des deux côtés du compartiment à poussière.

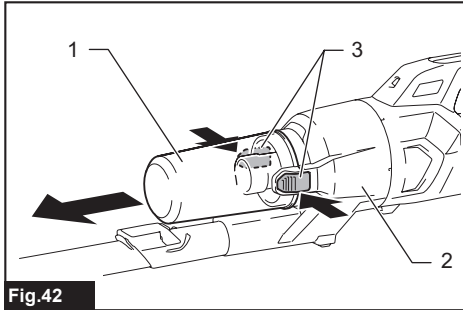


Fig.42

► 1. Compartiment à poussière 2. Boîtier cyclone
3. Boutons de libération

2. Tournez le filtre à tamis comme illustré dans la figure pour désengager le verrou. Puis, détachez-le du boîtier cyclone.

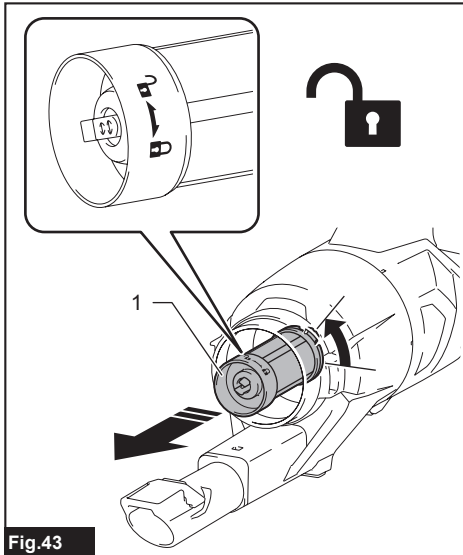


Fig.43

► 1. Filtre à tamis

3. Désassemblez le filtre à tamis en trois composants : préfiltre, filtre-éponge tubulaire et tuyau à tamis.

i Pressez ensemble les butées de guidage sur le haut du tuyau à tamis.

ii Passez les butées de guidage vers le bas à travers le trou de guidage sur le haut du préfiltre.

iii Tirez le préfiltre le long du filtre-éponge tubulaire et du tuyau à tamis.

iv Retirez le filtre-éponge tubulaire du tuyau à tamis.

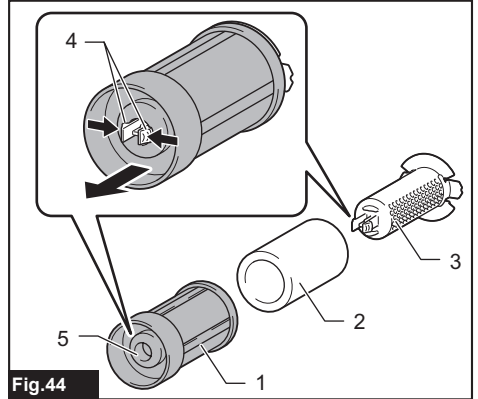


Fig.44

► 1. Préfiltre 2. Filtre-éponge tubulaire 3. Tuyau à tamis
4. Butées de guidage 5. Trou de guidage

4. Essuyez et secouez la poussière des filtres et du tuyau à tamis à la main.

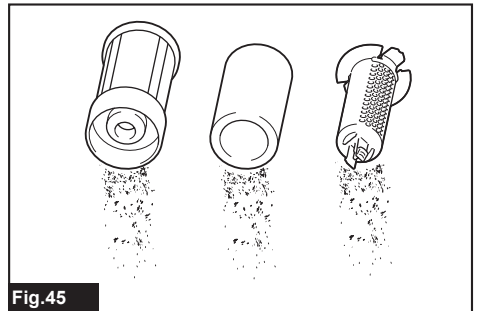


Fig.45

5. Lavez les filtres et le tuyau à tamis dans de l'eau savonneuse lorsqu'ils sont obstrués par de la poussière et de la saleté. Faites-les sécher entièrement à l'ombre avant utilisation.

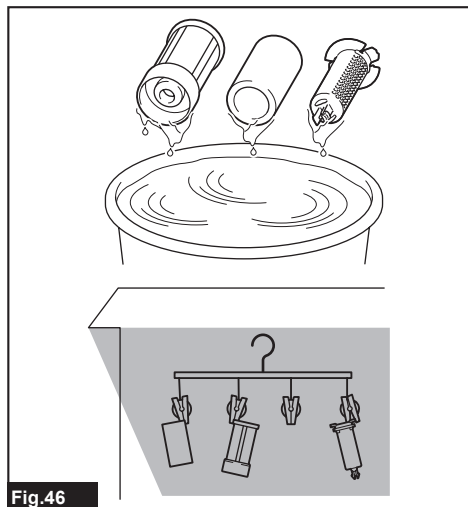


Fig.46

6. Réassemblez le filtre à tamis.

- i Insérez le filtre-éponge tubulaire dans le préfiltre.
- ii Insérez le tuyau à tamis dans le filtre-éponge tubulaire et le préfiltre, en faisant passer les butées de guidage sur le haut du tuyau à tamis à travers le trou de guidage sur le haut du préfiltre.
- iii Poussez le tuyau à tamis à travers le filtre-éponge tubulaire et le préfiltre jusqu'à ce qu'il se verrouille en place avec un clic.

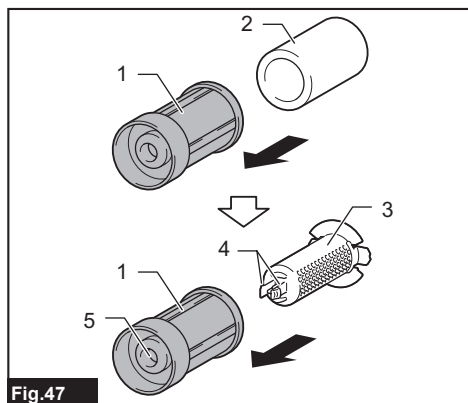


Fig.47

- 1. Préfiltre 2. Filtre-éponge tubulaire 3. Tuyau à tamis 4. Butées de guidage 5. Trou de guidage

7. Fixez le filtre à tamis dans le boîtier cyclone en alignant les crochets du filtre à tamis avec les orifices sur la sortie d'aspiration du boîtier cyclone. Tournez le filtre à tamis comme illustré dans la figure jusqu'à ce que les crochets se verrouillent avec un bruit de déclic. Assurez-vous que le filtre à tamis est fermement installé.

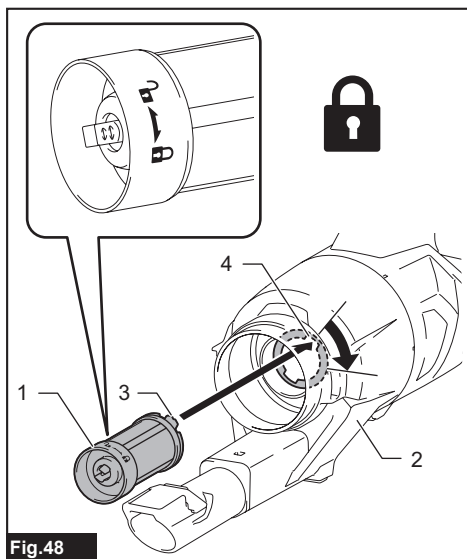


Fig.48

- 1. Filtre à tamis 2. Boîtier cyclone 3. Crochet 4. Orifice

Canaux d'air dans l'unité cyclone

Une substance étrangère entrante peut bloquer les canaux d'air de l'unité cyclone et le débit d'air chargé. Éliminez tout obstacle dans le chemin de l'air si la capacité d'aspiration est affectée de façon notable.

1. Désassemblez l'unité cyclone en trois composants : compartiment à poussière, filtre à tamis et boîtier cyclone.

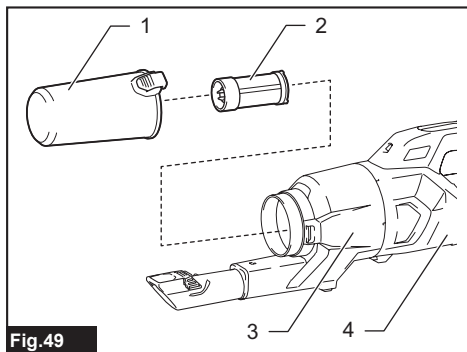


Fig.49

- 1. Compartiment à poussière 2. Filtre à tamis 3. Boîtier cyclone 4. Corps de l'aspirateur

2. Maintenez la butée de guidage enfoncée sur le tuyau d'entrée à travers le trou de verrouillage sur le boîtier cyclone en utilisant l'outil à main ayant un point. Puis, détachez le tuyau d'entrée du boîtier cyclone.

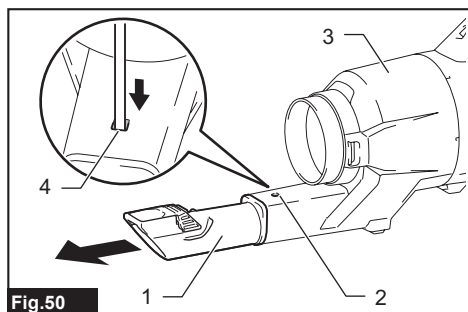


Fig.50

- 1. Tuyau d'entrée 2. Butée de guidage 3. Boîtier cyclone 4. Trou de verrouillage

3. Nettoyez toute substance trouvée dans les canaux d'air.

Une substance étrangère est susceptible de rester collée autour d'un orifice d'air entrant.



Fig.51

- 1. Entrée d'aspiration 2. Orifice d'air entrant

4. Réinsérez le tuyau d'entrée en place jusqu'à ce qu'il se verrouille solidement en place.

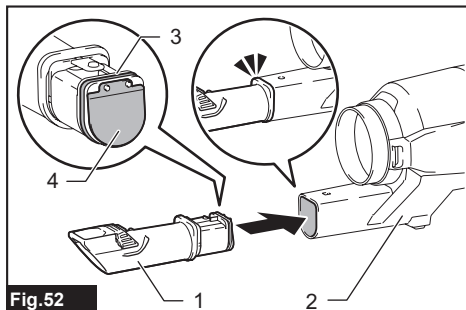


Fig.52

- 1. Tuyau d'entrée 2. Boîtier cyclone 3. Joint torique 4. Clapet de non-retour à battant

AVIS : Avant le réassemblage, assurez-vous que le joint torique et le clapet de non-retour à battant sont solidement en place. La capacité d'aspiration peut être affectée si l'unité cyclone est opérée sans le joint torique et le clapet de non-retour à battant installés.

5. Réassemblez l'unité cyclone et fixez-la sur le corps de l'aspirateur.

Dépannage

Avant de faire une demande de réparation, vérifiez les points suivants.

Symptôme	Zone à inspecter	Méthode de réparation
Faible puissance d'aspiration	Le compartiment à poussière ou l'unité cyclone intérieure est-il plein de poussière?	Videz le compartiment à poussière ou l'unité cyclone intérieure.
	Les filtres sont-ils obstrués?	Enlevez la poussière ou lavez le filtre haute performance/filtre HEPA/feuille éponge/filtre à tamis.
	Y a-t-il quelque chose qui bloque les canaux d'air entrant?	Nettoyez toute poussière et tout objet des ouvertures et canaux d'air.
	La batterie est-elle déchargée?	Chargez la batterie.
Ne fonctionne pas	La batterie est-elle déchargée?	Chargez la batterie.
Bruit et vibrations	Les filtres sont-ils obstrués?	Enlevez la poussière ou lavez le filtre haute performance/filtre HEPA/feuille éponge/filtre à tamis.
	Y a-t-il quelque chose qui bloque les ouvertures ou les trous?	Nettoyez toute poussière et tout objet des buses, tuyaux et ouvertures d'air.
	L'entrée d'aspiration de la buse ou du tuyau est-elle fermée?	Ouvrez l'entrée d'aspiration de la buse et du tuyau.

⚠ ATTENTION : N'essayez pas de réparer l'aspirateur vous-même.

ACCESSOIRES EN OPTION

⚠ ATTENTION : Ces accessoires ou pièces complémentaires sont recommandés pour l'utilisation avec l'outil Makita spécifié dans ce manuel. L'utilisation de tout autre accessoire ou pièce complémentaire peut comporter un risque de blessure. N'utilisez les accessoires ou pièces complémentaires qu'aux fins auxquelles ils ont été conçus.

Si vous désirez obtenir plus de détails sur ces accessoires, veuillez contacter le centre de service après-vente Makita le plus près.

- Tube de rallonge (tuyau rectiligne)
- Buse
- Buse à tapis
- Brosse à épousseter
- Buse à angle
- Brosse ronde
- Tuyau flexible
- Filtre haute performance
- Filtre HEPA
- Buse de siège
- Suceur plat
- Sac de rangement
- Chargeur et batterie authentiques Makita

NOTE : Certains éléments de la liste peuvent être inclus avec l'outil comme accessoires standards. Ils peuvent varier suivant les pays.

GARANTIE LIMITÉE MAKITA

Pour les conditions de garantie en vigueur qui s'appliquent à ce produit, veuillez vous reporter à la feuille de garantie en annexe. Si la feuille de garantie en annexe n'est pas disponible, reportez-vous aux détails de la garantie présentés sur le site Web de votre pays, ci-dessous.

États-Unis d'Amérique: www.makitatools.com

Canada: www.makita.ca

Autres pays: www.makita.com

ESPECIFICACIONES

Modelo:		CL003G
Capacidad		250 ml (0,07 gal.)
Uso continuo (con batería BL4025)	1 (Modo silencioso)	Aprox. 80 min
	2 (Modo velocidad normal)	Aprox. 40 min
	3 (Modo velocidad alta)	Aprox. 25 min
	4 (Modo velocidad máxima)	Aprox. 16 min
Longitud total (con tubo, boquilla y batería BL4025)		1 106 mm (43-1/2")
Tensión nominal		36 V - 40 V (máx.) c.c.
Peso neto		1,9 kg - 2,6 kg (4,2 lbs - 5,7 lbs)

- Debido a nuestro continuo programa de investigación y desarrollo, las especificaciones aquí incluidas están sujetas a cambio sin previo aviso.
- Las especificaciones pueden variar de país a país.
- El peso incluye el o los cartuchos de batería, pero no los accesorios. La combinación de menor y mayor peso del aparato y del o los cartuchos de batería se muestra en la tabla.

Cartucho de batería y cargador aplicables

Cartucho de batería	BL4020* / BL4025* / BL4040* / BL4050F * : Batería recomendada
Cargador	DC40RA / DC40RB / DC40RC

- Algunos de los cartuchos de batería y cargadores enumerados arriba podrían no estar disponibles dependiendo de su área de residencia.

⚠ADVERTENCIA: Use únicamente los cartuchos de batería y los cargadores indicados arriba. El uso de cualquier otro cartucho de batería y cargador podría ocasionar una lesión y/o un incendio.

ADVERTENCIAS DE SEGURIDAD

INSTRUCCIONES IMPORTANTES DE SEGURIDAD

Al usar cualquier aparato eléctrico, siempre deben seguirse las precauciones básicas, incluyendo las siguientes:

GUARDE ESTAS INSTRUCCIONES.

ADVERTENCIA

Para reducir el riesgo de incendio, descarga eléctrica o lesión:

1. No deje el aparato con la batería puesta. Retire la batería del aparato cuando no lo vaya a utilizar y antes de dar servicio de mantenimiento.
2. No lo utilice sobre superficies húmedas. No lo exponga a la lluvia. Almacénelo en interiores.
3. No permita que sea utilizado como un juguete. Supervise de cerca cuando lo utilicen niños o se utilice cerca de ellos.
4. Utilícelo solamente como se describe en este manual. Sólo use aditamentos recomendados por el fabricante.

5. **No lo utilice con una batería dañada. Si el aparato no está funcionando como debiera, se ha dejado caer, se ha dañado, se ha dejado a la intemperie o ha caído sobre agua, llévelo a un centro de servicio.**
6. **No manipule el aparato con las manos mojadas.**
7. **No introduzca ningún objeto en las aberturas. No lo utilice con ninguna abertura bloqueada; manténgalo libre de polvo, pelusa, cabello y cualquier objeto que pueda reducir el flujo de aire.**
8. **Mantenga el cabello, la ropa holgada, los dedos y todas las partes del cuerpo lejos de las aberturas y piezas móviles.**
9. **Apague todos los controles antes de retirar el cartucho de batería.**
10. **Tenga especial cuidado cuando limpie en escaleras.**
11. **No lo utilice para recoger líquidos inflamables o combustibles, tal como gasolina, ni en áreas donde puedan estar presentes.**
12. **No recoja nada que se esté quemando o desprenda humo, tal como cigarrillos, fósforos o cenizas calientes.**
13. **No lo utilice sin la bolsa recolectora de polvo y/o los filtros colocados en su lugar.**
14. **No cargue la batería en exteriores.**
15. **Evite una puesta en marcha accidental. Asegúrese de que el interruptor esté en la posición apagada antes de conectar el paquete de baterías, levantar el aparato o cargarlo. Cargar el aparato con su dedo en el interruptor o pasar energía al aparato con el interruptor encendido puede propiciar accidentes.**
16. **Desconecte el paquete de baterías del aparato antes de hacer cualquier ajuste, cambiar accesorios o almacenar el aparato. Estas medidas de seguridad preventivas reducen el riesgo de poner en marcha el aparato accidentalmente.**
17. **Recargue sólo con el cargador especificado por el fabricante. Un cargador que es adecuado para un solo tipo de paquete de baterías puede generar riesgo de incendio al ser utilizado con otro paquete de baterías.**
18. **Use los aparatos únicamente con los paquetes de baterías designados específicamente para ellos. El uso de otros paquetes de baterías puede generar riesgo de lesiones e incendio.**
19. **Cuando no se esté usando el paquete de baterías, guárdelo lejos de otros objetos metálicos tales como sujetapapeles (clips), monedas, llaves, clavos, tornillos u otros objetos metálicos pequeños que puedan crear una conexión entre una terminal y otra. Ocasionar un cortocircuito en las terminales de la batería puede provocar quemaduras o incendios.**
20. **En condiciones de mal uso, podría escapar líquido de la batería; evite tocarlo. Si lo toca accidentalmente, enjuague con agua. Si el líquido entra en contacto con los ojos, solicite adicionalmente atención médica. El líquido expulsado de la batería puede causar irritación o quemaduras.**
21. **No utilice un paquete de baterías o aparato que esté dañado o haya sido modificado. Las baterías dañadas o modificadas podrían comportarse de manera impredecible causando un incendio, explosión o riesgo de lesión.**
22. **No exponga un paquete de baterías o aparato al fuego o a una temperatura excesiva. La exposición al fuego a una temperatura superior a 130 °C podría causar una explosión.**
23. **Siga todas las instrucciones relativas a la carga y no cargue el paquete de baterías o el aparato fuera del rango de temperatura especificado en las instrucciones. Cargar de manera inapropiada o a temperaturas fuera del rango especificado podría dañar la batería e incrementar el riesgo de incendio.**
24. **Pida que el servicio lo realice un técnico en reparaciones calificado y que utilice únicamente piezas de repuesto idénticas a las originales. Esto garantizará que se mantenga la seguridad del producto.**

25. No modifique ni intente reparar el aparato ni el paquete de baterías salvo como se indique en las instrucciones para el uso y cuidado.

GUARDE ESTAS INSTRUCCIONES.

REGLAS DE SEGURIDAD ADICIONALES

Este aparato está diseñado para uso comercial.

1. Lea cuidadosamente este manual de instrucciones y el manual de instrucciones del cargador antes de usar el aparato.
2. No aspire los siguientes elementos:
 - Líquidos inflamables (queroseno, gasolina, disolventes como bencina, diluyentes, etc.)
 - Sustancias calientes que están ardiendo o echando humo (cigarrillos, cerillas, palitos de incienso, velas, cenizas calientes), chispas y polvo metálico generados por el corte o el lijado de metales, etc.
 - Materiales inflamables (tóner, pinturas, aerosoles, etc.)
 - Espumas, como limpiadores de alfombras, etc. (pueden causar explosiones o incendios)
 - Sustancias explosivas o pirofóricas (nitroglicerina, aluminio, magnesio, titanio, zinc, fósforo rojo, fósforo amarillo, celuloide, etc., y su polvo, gases o vapores)
 - Objetos afilados (cristal, cubiertos, astillas de madera, metales, piedras, clavos, cuchillas, tachuelas, etc.)
 - Polvo fino conductor y solidificante (polvo metálico o de carbono)
 - Deshumidificador
3. Detenga la operación de inmediato si nota algo anormal.
4. Si deja caer o golpea la aspiradora, verifique cuidadosamente si hay grietas o daños antes de la operación.
5. No la acerque a estufas ni a otras fuentes de calor.
6. No obstruya el orificio de flujo de entrada ni los orificios de ventilación.
7. Este aparato no se destina para utilizarse por personas (incluyendo niños) cuyas capacidades físicas, sensoriales o mentales sean diferentes o estén reducidas o carezcan de experiencia o de conocimiento, a menos que dichas personas reciban una supervisión o capacitación para el funcionamiento del aparato por una persona responsable de su seguridad.
8. Los niños deben supervisarse para asegurar que ellos no empleen los aparatos como juguete.

- Grandes cantidades de polvo (harina, polvo de extintor de incendios, etc.)
- Sustancias que causan síntomas tóxicos
- Productos químicos agresivos (ácidos, lixiviados, etc.)
- Basura líquida o húmeda, incluyendo vómitos y heces
- Asbesto
- Pesticidas


Tal acción podría ocasionar un incendio, lesiones y/o daños materiales.

Para reducir la exposición a estas sustancias químicas, utilice un equipo de protección respiratoria aprobado, tal como las máscaras contra polvo que están especialmente diseñadas para filtrar partículas microscópicas. No apunte la salida de aire a la cara y al cuerpo.

GUARDE ESTAS INSTRUCCIONES.

Símbolos

A continuación se muestran los símbolos utilizados para la herramienta.

v	volts o voltios
	corriente directa o continua

Instrucciones importantes de seguridad para el cartucho de batería

1. Antes de utilizar el cartucho de batería, lea todas las instrucciones e indicaciones de precaución sobre (1) el cargador de batería, (2) la batería, y (3) el producto con el que se utiliza la batería.
2. No desarme ni modifique el cartucho de batería. Podría ocurrir un incendio, calor excesivo o una explosión.
3. Si el tiempo de operación se ha acortado en exceso, deje de operar el aparato de inmediato. Esto podría generar un riesgo de sobrecalentamiento, posibles quemaduras e incluso una explosión.
4. En caso de que ingresen electrolitos en sus ojos, enjuáguelos bien con agua limpia y solicite atención médica de inmediato. Ya que esto podría causarle pérdida de visión.
5. No cortocircuite el cartucho de batería:
 - (1) No toque los terminales con ningún material conductor.
 - (2) Evite guardar el cartucho de batería en un cajón junto con otros objetos metálicos, tales como clavos, monedas, etc.
 - (3) No exponga el cartucho de batería al agua o a la lluvia.
Un cortocircuito en la batería podría causar un flujo grande de corriente, sobrecalentamiento, posibles quemaduras e incluso una avería.
6. No guarde y use la herramienta ni el cartucho de batería en lugares donde la temperatura pueda alcanzar o exceder los 50°C (122°F).
7. Nunca incinere el cartucho de batería incluso en el caso de que esté dañado seriamente o ya no sirva en absoluto. El cartucho de batería puede explotar si se tira al fuego.
8. No clave, corte, aplaste, lance o deje caer el cartucho de batería, ni golpee un objeto sólido contra el cartucho de batería. Dicha acción podría resultar en un incendio, calor excesivo o en una explosión.
9. No use una batería dañada.
10. Las baterías de iones de litio están sujetas a los requisitos legislativos reglamentarios en materia de bienes peligrosos.
Para transportes comerciales, por ej., mediante terceros o transportistas, se deben tomar en cuenta los requisitos especiales relativos al empaque y el etiquetado.
Para efectuar los preparativos del artículo que se va a enviar, se requiere consultar a un experto en materiales peligrosos. Si es posible, consulte además otras regulaciones nacionales posiblemente más detalladas.
Pegue o cubra con cinta adhesiva los contactos abiertos y empaque la batería de manera que ésta no pueda moverse dentro del paquete.
11. Para deshacerse del cartucho de batería, sáquelo de la herramienta y deséchelo en un lugar seguro. Siga las regulaciones locales relacionadas al desecho de las baterías.
12. Utilice las baterías únicamente con los productos especificados por Makita. Instalar las baterías en productos que no cumplan con los requisitos podría ocasionar un incendio, un calentamiento excesivo, una explosión o una fuga de electrolito.
13. Si no se utiliza la herramienta por un período largo, debe extraerse la batería de la herramienta.

14. El cartucho de batería podría absorber calor durante y después de su uso, lo que ocasionaría quemaduras o quemaduras a baja temperatura. Tenga cuidado con la manipulación de los cartuchos de batería que estén calientes.
15. No toque el terminal de la herramienta inmediatamente después de su uso, ya que el mismo podría estar lo suficientemente caliente como para provocarle quemaduras.
16. No permita que las rebabas, el polvo o la tierra queden atrapados en los terminales, orificios y ranuras del cartucho de batería. Esto podría ocasionar un desempeño deficiente o descompostura de la herramienta o del cartucho de batería.
17. No utilice el cartucho de batería cerca de cables eléctricos de alto voltaje, a menos que la herramienta sea compatible con el uso cercano a estos cables eléctricos de alto voltaje.. Esto podría ocasionar una avería o descompostura de la herramienta o del cartucho de batería.
18. Mantenga la batería alejada de los niños.

GUARDE ESTAS INSTRUCCIONES.

PRECAUCIÓN: Utilice únicamente baterías originales de Makita. El uso de baterías no originales de Makita, o de baterías alteradas, puede ocasionar que las baterías exploten causando un incendio, lesiones personales y daños. Asimismo, esto invalidará la garantía de Makita para la herramienta y el cargador Makita.

Consejos para alargar al máximo la vida útil de la batería

1. Cargue el cartucho de batería antes de que se descargue completamente. Pare siempre la operación y cargue el cartucho de batería cuando note menos potencia en la herramienta.
2. No cargue nunca un cartucho de batería que esté completamente cargado. La sobrecarga acortará la vida de servicio de la batería.
3. Cargue el cartucho de batería a una temperatura ambiente de 10 °C - 40 °C (50 °F - 104 °F). Si un cartucho de batería está caliente, déjelo enfriar antes de cargarlo.
4. Cuando no utilice el cartucho de batería, sáquelo de la herramienta o del cargador.
5. Cargue el cartucho de batería si no va a utilizarlo durante un período prolongado (más de seis meses).

DESCRIPCIÓN DEL FUNCIONAMIENTO

PRECAUCIÓN: Asegúrese siempre de que la herramienta esté apagada y el cartucho de batería haya sido extraído antes de realizar cualquier ajuste o comprobación en la herramienta.

PRECAUCIÓN: Tenga cuidado de que su(s) dedo(s) no quede(n) atrapado(s) entre la aspiradora y la batería, tal como se ilustra en el diagrama, al momento de colocar la batería. Si su(s) dedo(s) quedara(n) atrapado(s) podría(n) resultar lesionado(s).

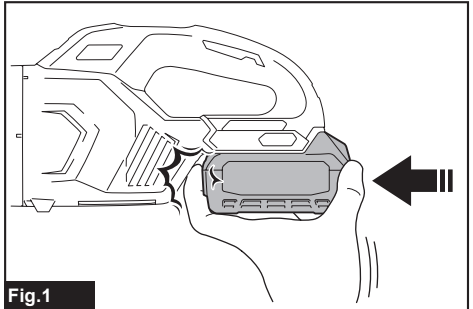


Fig.1

Instalación o extracción del cartucho de batería

PRECAUCIÓN: Apague siempre la herramienta antes de colocar o quitar el cartucho de batería.

PRECAUCIÓN: Sujete la herramienta y el cartucho de la batería con firmeza al colocar o quitar el cartucho de batería. Si no se sujeta con firmeza la herramienta y el cartucho de batería, puede ocasionar que se resbalen de sus manos causando daños a la herramienta y al cartucho de batería, así como lesiones a la persona.

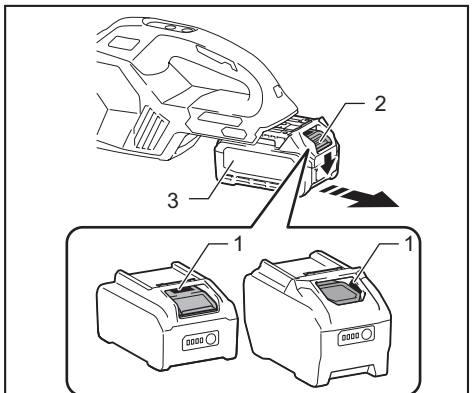


Fig.2

► 1. Indicador rojo 2. Botón 3. Cartucho de batería

Para quitar el cartucho de batería, deslícelo de la herramienta mientras desliza el botón sobre la parte delantera del cartucho.

Para instalar el cartucho de batería, alinee la lengüeta sobre el cartucho de batería con la ranura en la carcasa y deslícela hasta su lugar. Insértelo por completo hasta que se fije en su lugar con un pequeño clic. Si puede ver el indicador rojo como se muestra en la ilustración, este no ha quedado asegurado por completo.

⚠️ PRECAUCIÓN: Introduzca siempre completamente el cartucho de batería hasta que el indicador rojo no pueda verse. Si no, podría accidentalmente salirse de la herramienta y caer al suelo causando una lesión a usted o alguien a su alrededor.

⚠️ PRECAUCIÓN: No instale el cartucho de batería a la fuerza. Si el cartucho no se desliza al interior fácilmente, se debe a que no está siendo insertado correctamente.

Sistema de protección de batería

La herramienta está equipada con un sistema de protección para la herramienta/batería. Este sistema corta automáticamente la alimentación al motor para prolongar la vida de la herramienta y la batería. La herramienta se detendrá automáticamente durante la operación si la herramienta o la batería se someten a una de las siguientes condiciones.

Sobrecarga:

La herramienta/batería se utilizan de una manera que causa que se consuma una cantidad de corriente inusualmente alta.

En este caso, apague la herramienta y detenga la aplicación que causó que la herramienta se sobrecargara. Luego encienda la herramienta para reiniciarla.

Si la herramienta no arranca, la herramienta / batería se sobrecalentó. En este caso, permita que la herramienta / batería se enfríen antes de volver a encender la herramienta.

Bajo voltaje de la batería:

La capacidad restante de la batería es demasiado baja y la herramienta no funcionará. En este caso, extraiga la batería y vuelva a cargarla.

Protección contra otras causas:

El sistema de protección también está diseñado para otras causas que podrían dañar la herramienta, y permite que la herramienta se detenga automáticamente. Siga todos los pasos a continuación para eliminar las causas cuando la herramienta se haya detenido temporalmente o se haya detenido durante el funcionamiento.

1. Apague la herramienta, y luego enciéndala nuevamente para reiniciarla.
2. Cargue la(s) batería(s) o reemplácela(s) con batería(s) recargada(s).
3. Deje que la herramienta y la(s) batería(s) se enfríen.

Si no hay ninguna mejora al restaurar el sistema de protección, comuníquese con su centro local de servicio Makita.

Indicación de la capacidad restante de la batería

Oprima el botón de verificación en el cartucho de la batería para que indique la capacidad restante de la batería. Las luces indicadoras se iluminarán por algunos segundos.

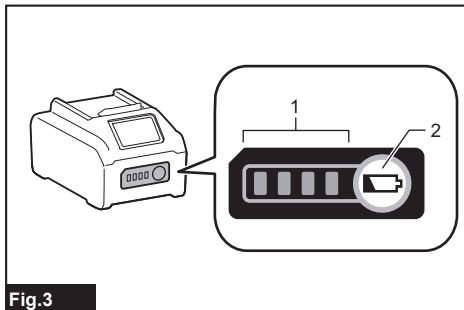


Fig.3

► 1. Luces indicadoras 2. Botón de verificación

Luces indicadoras			Capacidad restante
Iluminadas	Apagadas	Parpadeando	
■ ■ ■ ■	□ □ □ □	▧	75% a 100%
■ ■ ■ □	□ □ □ □	▧	50% a 75%
■ ■ □ □	□ □ □ □	▧	25% a 50%
■ □ □ □	□ □ □ □	▧	0% a 25%
▧ □ □ □	□ □ □ □	▧	Cargar la batería.
■ ■ □ □	□ □ □ □	▧	La batería pudo haber funcionado mal.
□ □ ■ ■	□ □ □ □	▧	

NOTA: Dependiendo de las condiciones de uso y la temperatura ambiente, la indicación podrá diferir ligeramente de la capacidad real.

NOTA: La primera luz indicadora (extrema izquierda) parpadeará cuando el sistema de protección de batería esté en funcionamiento.

Accionamiento del interruptor

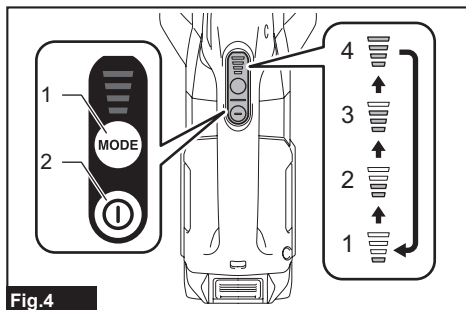


Fig.4

- 1. Botón de cambio de potencia de succión 2. Botón de encendido/apagado

Para poner en marcha la aspiradora, simplemente oprima el botón de encendido/apagado. Para apagarla, oprima el botón de encendido/apagado nuevamente. Usted puede cambiar la potencia de succión de la aspiradora en cuatro pasos presionando el botón de cambio de potencia de succión. Cada pulsación de este botón repite el modo Silencioso / Vel. normal / Vel. alta/ Vel. máxima en un ciclo.

Nivel	Indicación	Modo
1		Modo silencioso
2		Modo velocidad normal
3		Modo velocidad alta
4		Modo velocidad máxima

NOTA: Puede cambiar la potencia de succión antes de encender la aspiradora.

NOTA: La aspiradora inicia la operación con la misma potencia de succión que la última operación.

Encendido de la lámpara

PRECAUCIÓN: No mire a la luz ni vea a la fuente de luz directamente.

Para encender la lámpara, oprima el botón de cambio de potencia de succión. La lámpara se apaga en aproximadamente 10 segundos. Mientras la aspiradora está funcionando, la lámpara estará encendida. La lámpara se apagará aproximadamente 10 segundos después de detener la operación.

NOTA: Cuando la capacidad restante de la batería esté baja, la lámpara comenzará a parpadear. El momento en el que la lámpara comenzará a parpadear dependerá de la temperatura en el lugar de trabajo y de las condiciones del cartucho de batería.

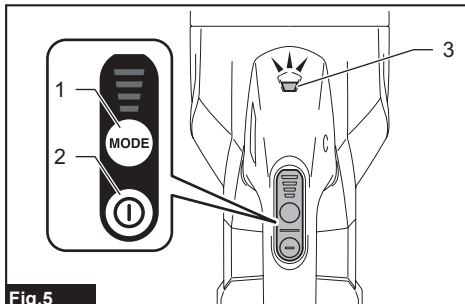


Fig.5

- 1. Botón de cambio de potencia de succión 2. Botón de encendido/apagado 3. Luz

DESCRIPCIÓN DE LAS PIEZAS

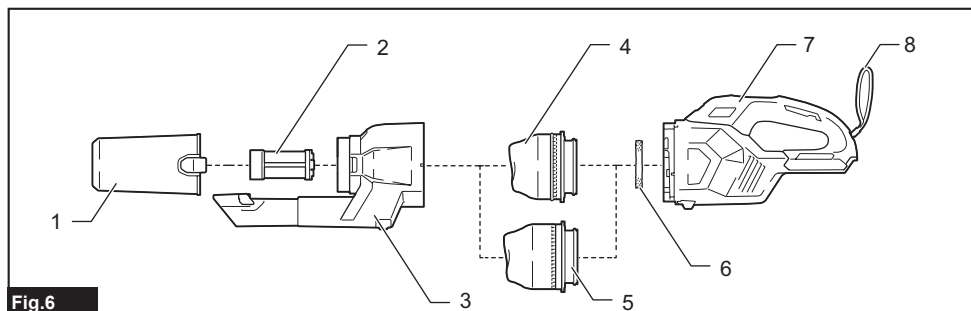


Fig.6

1	250 ml (0,07 gal.) caja para polvo	2	Filtro de malla	3	Cuerpo ciclónico	4	Filtro de alto rendimiento (bastidor del filtro en color gris) (accesorio opcional)
5	Filtro HEPA (bastidor del filtro en color blanco) (accesorio opcional)	6	Lámina de esponja	7	Cuerpo de la aspiradora	8	Asa (específica del país)

MONTAJE

⚠PRECAUCIÓN: Asegúrese siempre de que la herramienta esté apagada y el cartucho de batería haya sido extraído antes de realizar cualquier trabajo en la misma.

AVISO: Asegúrese de que todos los accesorios y componentes estén asegurados en su lugar correctamente antes de usarlos.

Instalación y desinstalación de los aditamentos para aspiradora

⚠PRECAUCIÓN: Después de instalar los aditamentos, verifique si están bien instalados. Si los aditamentos no están instalados perfectamente bien, estos podrían salirse y ocasionar una lesión.

⚠PRECAUCIÓN: Cuando extraiga los aditamentos, tenga cuidado de no golpear su mano contra el muro, etc.

Cuando se utiliza el aditamento con la función de bloqueo

Para instalar el aditamento, insértelo en la entrada de succión de la aspiradora hasta que haga clic. Asegúrese de que el aditamento quede asegurado.

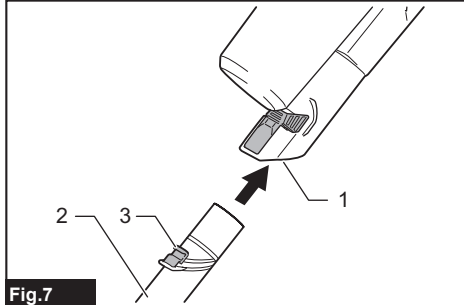


Fig.7

► 1. Entrada de succión 2. Aditamento con la función de bloqueo 3. Gancho

AVISO: Cuando instale el aditamento con función de bloqueo, asegúrese de alinear el botón de liberación de la aspiradora con el gancho del aditamento. Si no están alineados, el aditamento no se bloqueará y podría salirse de la aspiradora.

Para quitar el accesorio, sáquelo de la aspiradora mientras presiona y sostiene los brazos del botón de liberación.

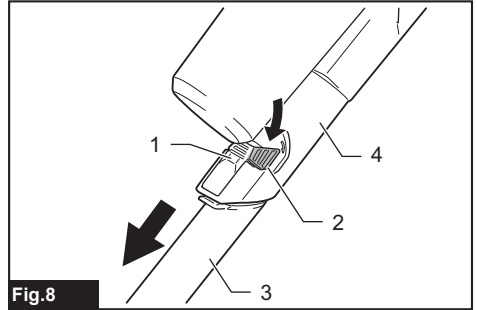


Fig.8

► 1. Botón de liberación 2. Brazo del botón de liberación 3. Aditamento con la función de bloqueo 4. Entrada de succión

Cuando se utiliza el aditamento sin la función de bloqueo

AVISO: Para instalar el accesorio sin función de bloqueo, insértelo en la entrada de succión de la aspiradora, girándolo como se muestra en la figura. Para quitar el accesorio, libérela de la aspiradora, girándolo como se muestra en la figura. Evite girar el accesorio en la dirección opuesta a la flecha en la figura, ya que podría aflojar la unidad ciclónica.

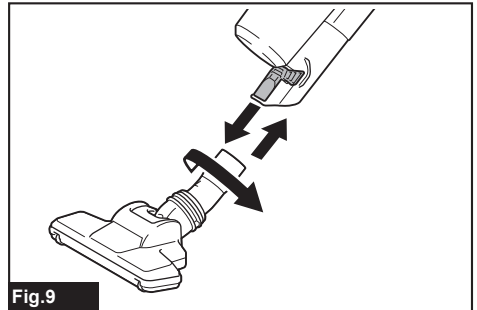


Fig.9

OPERACIÓN

⚠PRECAUCIÓN: No ponga la cara cerca de la abertura de ventilación cuando utilice la aspiradora. Si las partículas sopladadas se introducen en los ojos, podrían causar lesiones.

AVISO: Evite usar la aspiradora en posición horizontal o hacia arriba. De lo contrario, podría ocasionar que el filtro de malla se obstruya.

AVISO: Utilice siempre la aspiradora con los filtros instalados. Si se utiliza la aspiradora sin filtros, se podría ocasionar una avería del motor.

AVISO: Vacíe la caja para polvo en la unidad ciclónica cuando se haya acumulado polvo. El uso continuo en esas circunstancias debilitará la fuerza de succión.

La unidad ciclónica ayuda a reducir la cantidad de polvo que ingresa a la aspiradora, mejorando el desempeño de succión con una eliminación simple y fácil del polvo.

Aspirado (succión)

Boquilla

Coloque la boquilla para aspirar mesas, escritorios, muebles, etc. La boquilla se pone fácilmente.

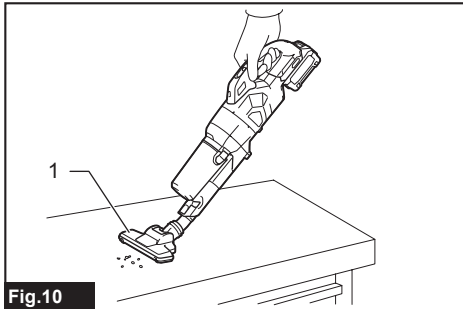


Fig.10

► 1. Boquilla

Boquilla + Tubo de extensión (tubo recto)

El tubo de extensión se coloca entre la boquilla y la aspiradora misma. Esta modalidad resulta conveniente para aspirar un piso estando de pie.

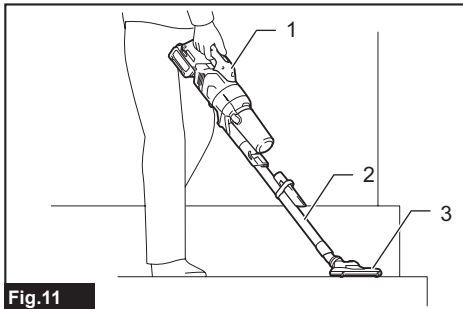


Fig.11

► 1. Cuerpo de la aspiradora 2. Tubo de extensión 3. Boquilla

Boquilla para esquinas

Coloque la boquilla para esquinas para aspirar esquinas y huecos en autos y muebles.

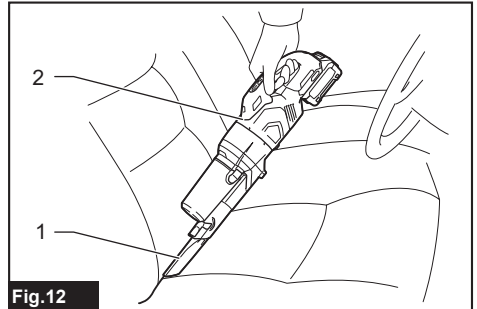


Fig.12

► 1. Boquilla para esquinas 2. Cuerpo de la aspiradora

Usted puede guardar la boquilla para esquinas en el sujetaboquillas.

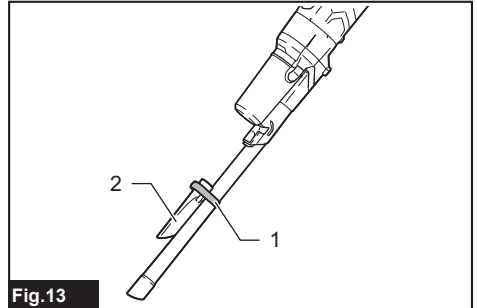


Fig.13

► 1. Sujetaboquillas 2. Boquilla para esquinas

⚠PRECAUCIÓN: Tenga cuidado de que su(s) dedo(s) no quede(n) atrapado(s) entre la boquilla para esquinas y el sujetaboquillas. Si su(s) dedo(s) quedara(n) atrapado(s) podría(n) resultar lesionado(s).

Boquilla para esquinas + Tubo de extensión (tubo recto)

Utilice esta modalidad para espacios estrechos donde la misma aspiradora no quepa, o en lugares elevados difíciles de alcanzar.

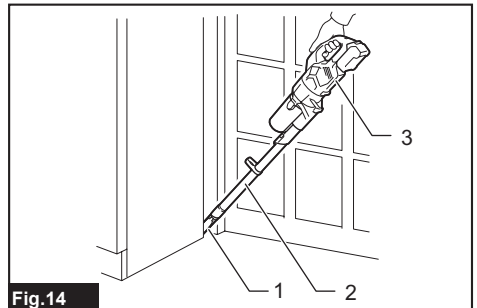
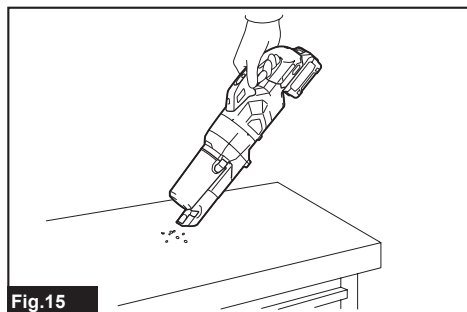


Fig.14

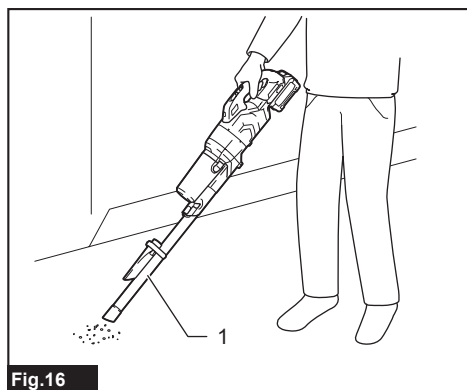
► 1. Boquilla para esquinas 2. Tubo de extensión 3. Cuerpo de la aspiradora

Aspirado sin boquilla

Puede aspirar el polvo sin el uso de la boquilla.



Para recoger polvo en un piso en posición de pie, es conveniente colocar el tubo de extensión (tubo recto) en la aspiradora.



► 1. Tubo de extensión

Eliminación del polvo

⚠ PRECAUCIÓN: Vacíe la aspiradora antes de que se llene, o la fuerza de succión se debilitará.

⚠ PRECAUCIÓN: Tenga cuidado de no pillarse los dedos entre la caja para polvo y el cuerpo ciclónico cuando vuelva a ensamblarla.

Deseche el polvo acumulado de la siguiente manera, antes de que exceda la línea indicadora de eliminación de polvo.

1. Apunte el cabezal de la aspiradora hacia abajo, sujete la caja para polvo firmemente y luego sepárela del cuerpo ciclónico mientras presiona y mantiene presionados los botones de liberación a ambos lados de la caja para polvo.

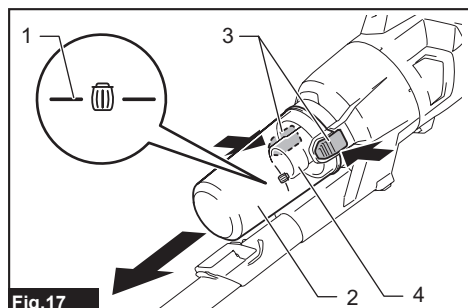


Fig.17

► 1. Línea indicadora de eliminación de polvo 2. Caja para polvo 3. Botones de liberación 4. Filtro de malla

2. Vacíe la caja para polvo y limpie el polvo adherido del filtro de malla.

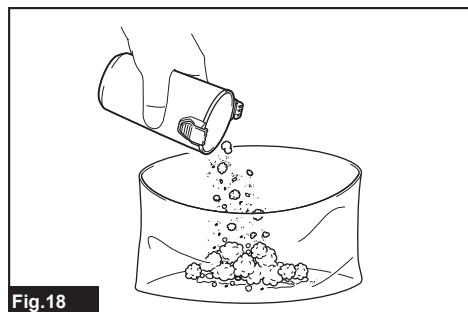


Fig.18

3. Vuelva a colocar la caja para polvo en el cuerpo ciclónico para asegurarla en su lugar cuando se escuchen clics.

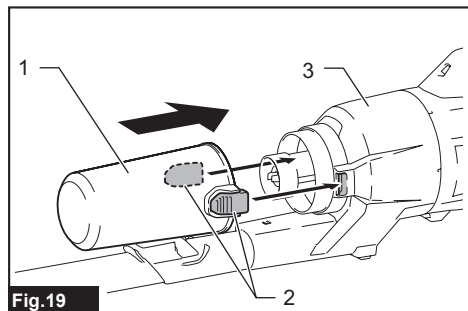


Fig.19

► 1. Caja para polvo 2. Botones de liberación 3. Cuerpo ciclónico

⚠PRECAUCIÓN: El polvo podría salir volando cuando se desecha de la caja para polvo. Tenga cuidado de que el polvo no alcance sus ojos.

AVISO: Cuando la caja para polvo se ensucie, extráigala y lávela con agua. Seque bien la caja para polvo antes de volver a montarla y utilizarla.

AVISO: Asegúrese de que todos los accesorios y componentes estén asegurados en su lugar correctamente antes de usarlos.

AVISO: Si la fuerza de succión no se recupera incluso después de desechar el polvo y de limpiar el filtro de malla, verifique si se ha acumulado polvo dentro del cuerpo ciclónico o si hay obstrucción.

MANTENIMIENTO

⚠PRECAUCIÓN: Asegúrese siempre de que la herramienta esté apagada y el cartucho de batería extraído antes de intentar realizar una inspección o mantenimiento.

AVISO: Nunca use gasolina, bencina, diluyente (tíner), alcohol o sustancias similares. Puede que esto ocasione grietas o decoloramiento.

Para mantener la SEGURIDAD y CONFIABILIDAD del producto, las reparaciones y cualquier otro mantenimiento o ajuste deben ser realizados por los centros de servicio autorizados por Makita o de fábrica, utilizando siempre repuestos Makita.

Después del uso

⚠PRECAUCIÓN: El colocar la aspiradora contra la pared sin que haya ningún otro soporte podría ocasionar que la aspiradora se cayera, lo que resultaría en una lesión personal o en un daño a la aspiradora.

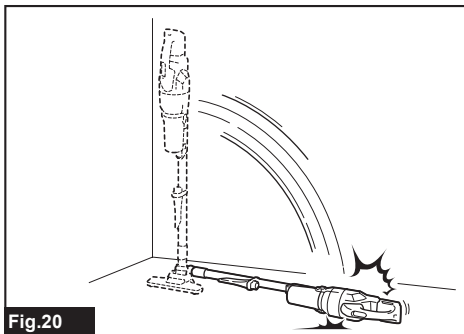


Fig.20

Mantenimiento regular

AVISO: Limpie los filtros de la unidad ciclónica cuando se obstruyan. El uso continuo en la condición obstruida podría provocar su calentamiento o avería del motor.

AVISO: No use un soplador de aire con el fin de eliminar el polvo adherido en la aspiradora y en los filtros. Esto introduciría polvo en la carcasa pudiendo causar daños.

Se requiere un mantenimiento de rutina para restaurar las condiciones normales de funcionamiento.

Cuerpo de la aspiradora

Limpie el exterior (cuerpo de la aspiradora) usando un paño húmedo y agua enjabonada, así como las aberturas de succión.

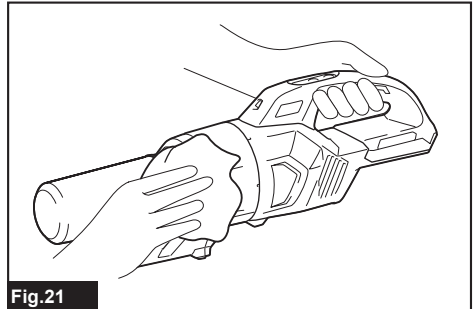


Fig.21

Unidad ciclónica y filtros

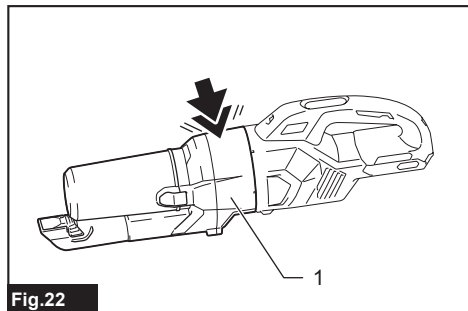
AVISO: Quite el polvo y limpie el interior de la unidad ciclónica y los filtros, cuando el desempeño de succión sea menos efectivo, independientemente de la cantidad de polvo acumulado en la caja para polvo.

AVISO: Después de lavar los filtros, séquelos completamente antes de usarlos. Si los filtros no están completamente secos la succión podría ser deficiente y la vida útil del motor podría reducirse.

AVISO: Después de limpiar los filtros y el filtro de esponja, asegúrese de volver a instalarlos antes del uso. Si utiliza la aspiradora sin los filtros y la lámina de esponja, el polvo entrará a la carcasa del motor y causará daños en el mismo.

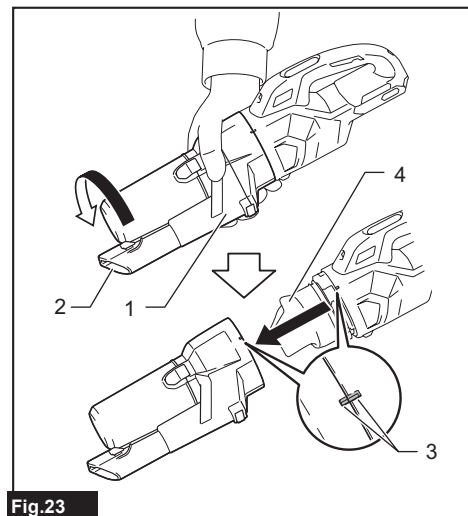
Unidad ciclónica

1. Golpee la unidad ciclónica varias veces con la mano para eliminar el polvo adherido a la superficie interna de la unidad ciclónica y el filtro.



► 1. Unidad ciclónica

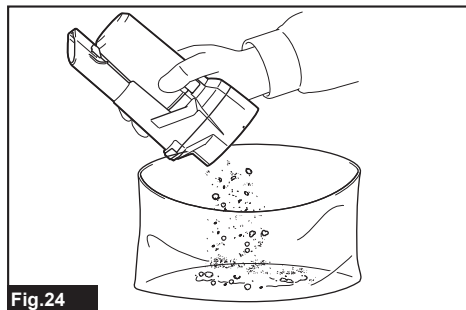
2. Con la entrada de succión apuntando hacia abajo, gire la unidad ciclónica como se muestra en la figura alineando el indicador de la unidad ciclónica con el del cuerpo de la aspiradora para desacoplar el seguro. Luego, separe la unidad ciclónica del cuerpo de la aspiradora lentamente y en forma recta.



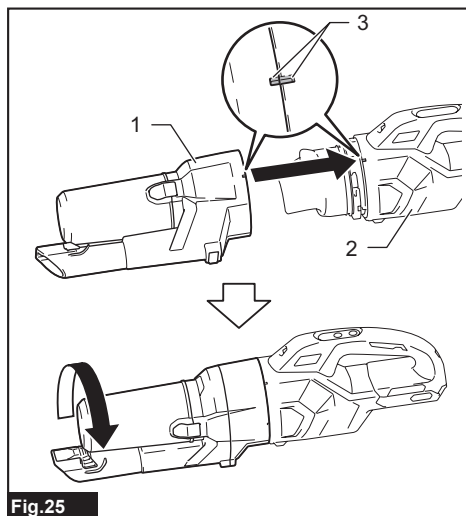
► 1. Unidad ciclónica 2. Entrada de succión
3. Indicadores 4. Filtro

NOTA: El polvo podría salir despedido cuando se desmonta la unidad ciclónica. Se recomienda colocar una bolsa de basura debajo de la unidad ciclónica.

3. Sacuda el polvo dentro de la unidad ciclónica y del filtro.



4. Coloque la unidad ciclónica nuevamente sobre el cuerpo de la aspiradora, alineando el indicador de la unidad ciclónica con el del cuerpo de la aspiradora. Luego, gire la unidad ciclónica como se muestra en la figura hasta que quede asegurada en su lugar.



► 1. Unidad ciclónica 2. Cuerpo de la aspiradora
3. Indicadores

Filtro de alto rendimiento

Accesorio opcional

1. Desmonte la unidad ciclónica del cuerpo de la aspiradora.
2. Sostenga el extremo de montaje del filtro de alto rendimiento, y sepárelo del cuerpo de la aspiradora.

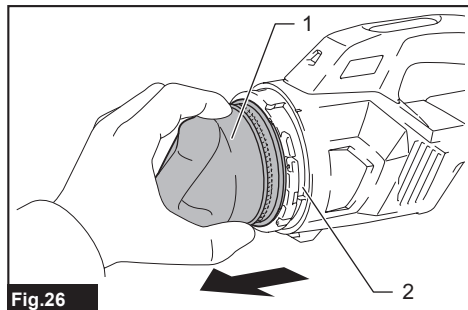


Fig.26

- 1. Filtro de alto rendimiento 2. Cuerpo de la aspiradora

3. Limpie y sacuda el polvo del filtro de alto rendimiento manualmente.



Fig.27

4. Lave el filtro de alto rendimiento en agua jabonada cuando este se haya tapado con el polvo y suciedad. Déjelo secar por completo a la sombra antes de usarlo.

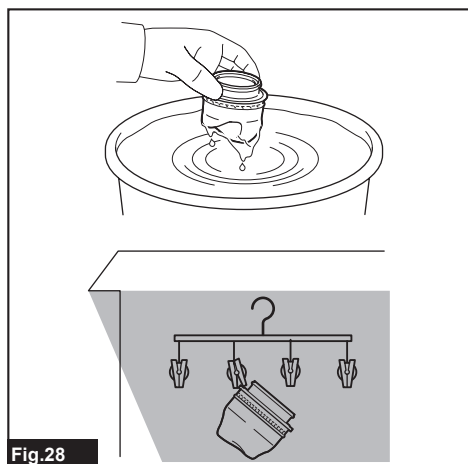


Fig.28

NOTA: Evite sujetar el extremo del accesorio (anillo de sellado de goma) del filtro de alto rendimiento cuando lo cuelgue para secarlo.

5. Sostenga el extremo de montaje del filtro de alto rendimiento, y méntalo nuevamente dentro del cuerpo de la aspiradora.

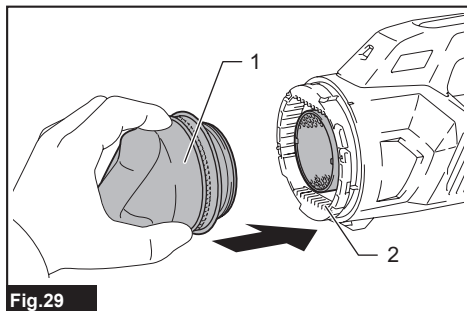


Fig.29

- 1. Filtro de alto rendimiento 2. Cuerpo de la aspiradora

Filtro HEPA

Accesorio opcional

AVISO: No frote ni raye el filtro HEPA con objetos duros tales como un cepillo o una pala.

1. Desmonte la unidad ciclónica del cuerpo de la aspiradora.
2. Sostenga el extremo de montaje del filtro HEPA (cubierto con el prefiltro de alto rendimiento), y sepárelo del cuerpo de la aspiradora.

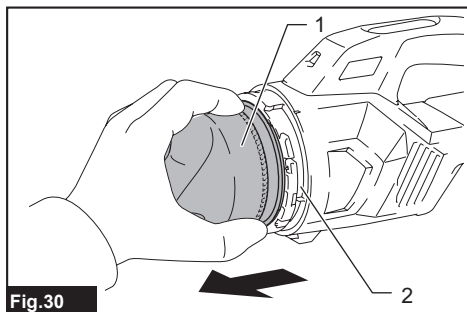
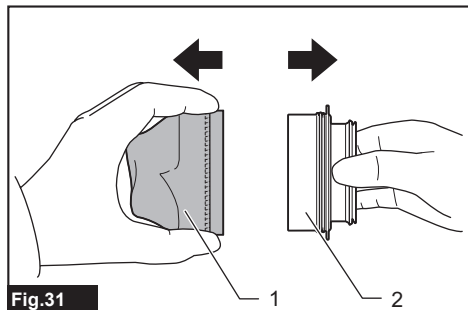


Fig.30

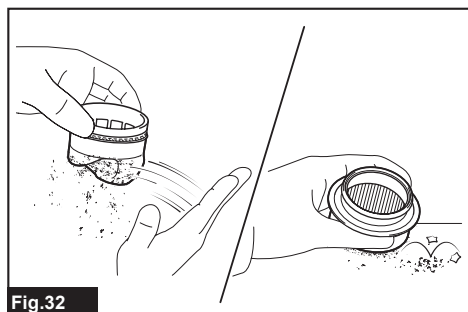
- 1. Filtro HEPA (cubierto con el prefiltro de alto rendimiento) 2. Cuerpo de la aspiradora

3. Desmonte el prefiltro de alto rendimiento del filtro HEPA girándolo con la mano.

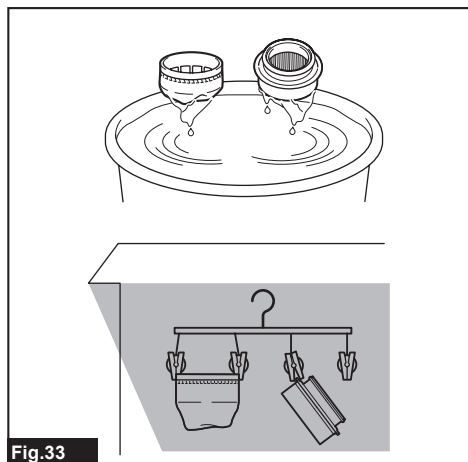


► 1. Prefiltro de alto rendimiento 2. Filtro HEPA

4. Limpie y sacuda el polvo del prefiltro de alto rendimiento y el filtro HEPA manualmente.

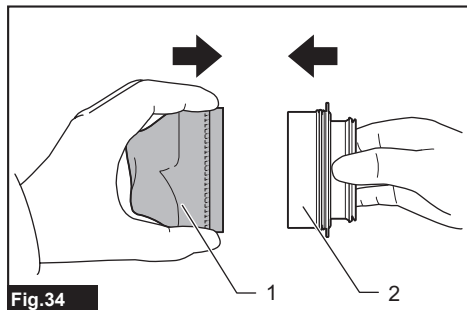


5. Lave el prefiltro de alto rendimiento y el filtro HEPA en agua enjabonada. Enjuague y déjelos secar por completo a la sombra antes de usarlos.



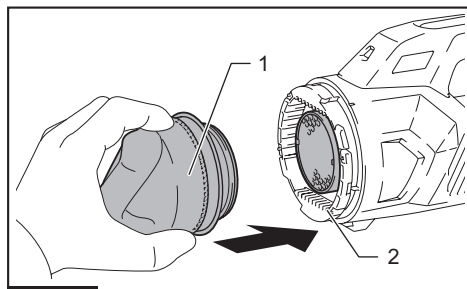
NOTA: Evite sujetar el extremo del accesorio (anillo de sellado de goma) del filtro HEPA cuando lo cuelgue para secarlo.

6. Coloque el prefiltro de alto rendimiento sobre el filtro HEPA.



► 1. Prefiltro de alto rendimiento 2. Filtro HEPA

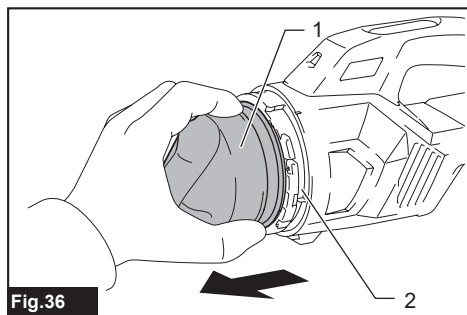
7. Sostenga el extremo de montaje del filtro HEPA (cubierto con el prefiltro de alto rendimiento), y métele nuevamente dentro del cuerpo de la aspiradora.



► 1. Filtro HEPA (cubierto con el prefiltro de alto rendimiento) 2. Cuerpo de la aspiradora

Lámina de esponja

1. Desmonte la unidad ciclónica del cuerpo de la aspiradora.
2. Sostenga el extremo de montaje del filtro, y séparelo del cuerpo de la aspiradora.



► 1. Filtro 2. Cuerpo de la aspiradora

3. Retire la lámina de esponja de la abertura de succión.

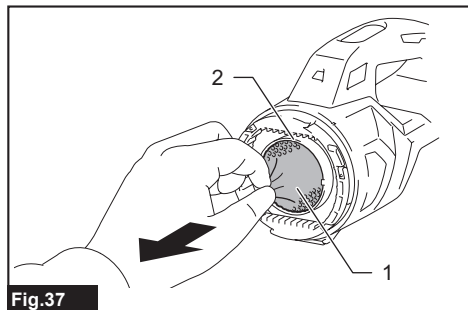


Fig.37

► 1. Lámina de esponja 2. Abertura de succión

4. Limpie y sacuda el polvo de la lámina de esponja con la mano.

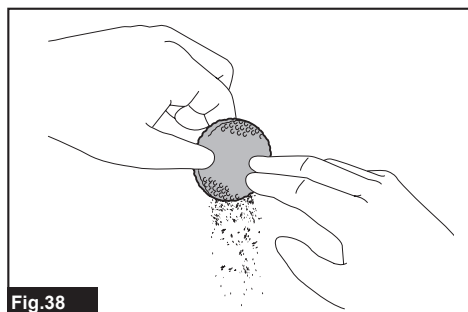


Fig.38

5. Lave la lámina de esponja en agua enjabonada cuando esta se haya tapado con el polvo y suciedad. Déjelo secar por completo a la sombra antes de usarlo.

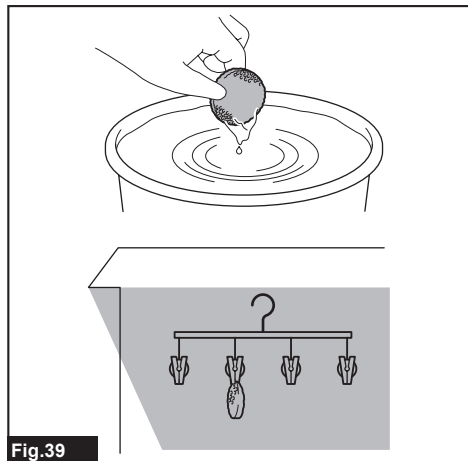


Fig.39

6. Vuelva a colocar la lámina de esponja en su posición original. Asegúrese de que los bordes izquierdo y derecho de la lámina de esponja estén asegurados con topes, y que no haya espacios entre la lámina de esponja y la abertura de succión.

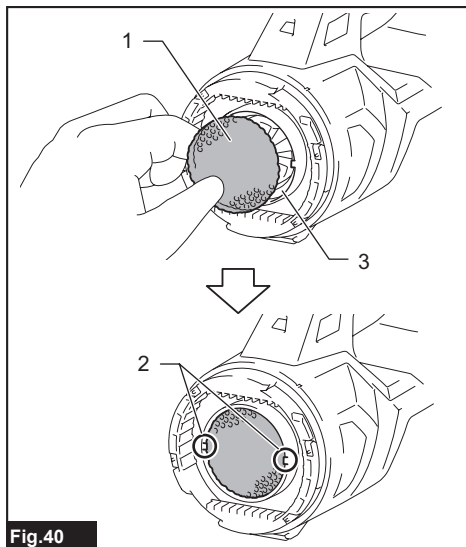


Fig.40

► 1. Lámina de esponja 2. Tope 3. Abertura de succión

7. Sostenga el extremo de montaje del filtro, y métalo nuevamente dentro del cuerpo de la aspiradora.

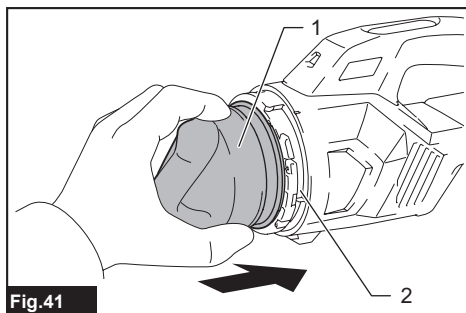


Fig.41

► 1. Filtro 2. Cuerpo de la aspiradora

Mantenimiento según la condición

AVISO: Limpie el filtro de malla de la unidad ciclónica cuando se obstruya. El uso continuo en la condición obstruida podría provocar su calentamiento o avería del motor.

Debe realizarse una limpieza profunda y puntual de acuerdo con el desempeño de su herramienta.

Filtro de malla

Cuando la caja para polvo se ensucia o el filtro de malla se obstruye, quítelos y lávelos con agua. (Consulte la sección "Eliminación del polvo" para el procedimiento de eliminación).

1. Sujete la caja para polvo firmemente y sepárela del cuerpo ciclónico mientras presiona y mantiene presionados los botones de liberación a ambos lados de la caja para polvo.

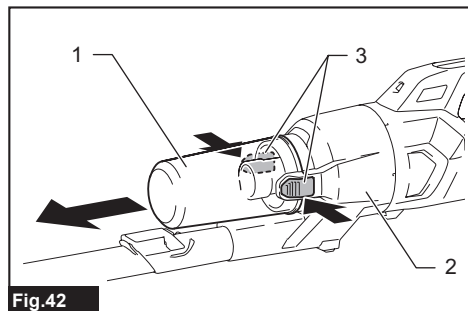


Fig.42

► 1. Caja para polvo 2. Cuerpo ciclónico 3. Botones de liberación

2. Gire el filtro de malla como se muestra en la figura para desacoplar el seguro. Luego, desmóntelo del cuerpo ciclónico.

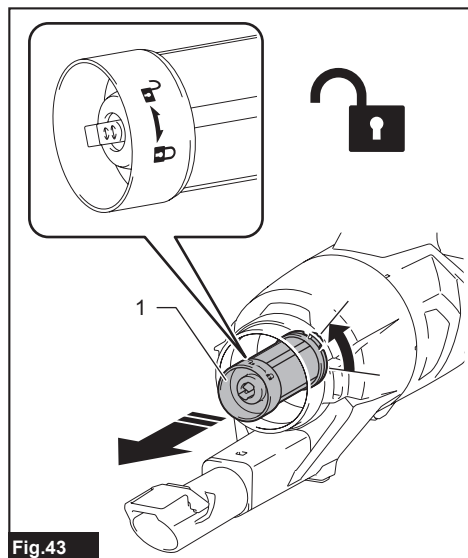


Fig.43

► 1. Filtro de malla

3. Desmonte el filtro de malla en tres componentes: prefiltro, filtro de esponja tubular y tubo de malla.

i Apriete juntos los topes de guía de la parte superior del tubo de malla.

ii Pase los topes de guía hacia abajo a través del orificio guía de la parte superior del prefiltro.

iii Tire del prefiltro a lo largo del filtro de esponja tubular y el tubo de malla.

iv Retire el filtro de esponja tubular del tubo de malla.

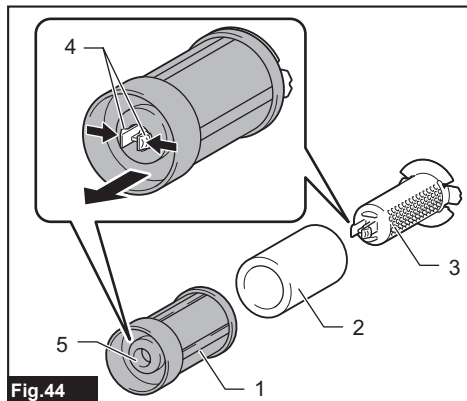


Fig.44

► 1. Prefiltro 2. Filtro de esponja tubular 3. Tubo de malla 4. Topes de guía 5. Orificio guía

4. Limpie y sacuda el polvo de los filtros y del tubo de malla con la mano.

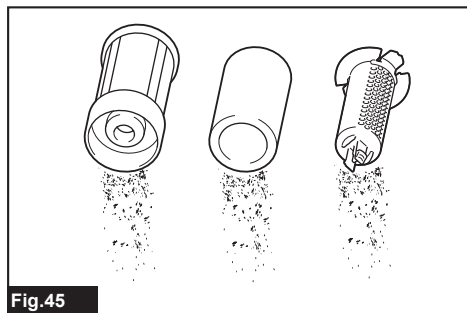


Fig.45

5. Lave los filtros y el tubo de malla con agua enjabonada cuando estén obstruidos con polvo y suciedad. Déjelos secar por completo a la sombra antes de usarlos.

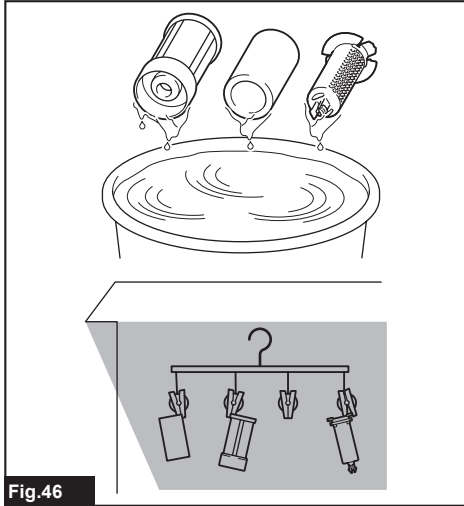


Fig.46

6. Vuelva a montar el filtro de malla.

- i Inserte el filtro de esponja tubular dentro del prefiltro.
- ii Inserte el tubo de malla dentro del filtro de esponja tubular y el prefiltro, pasando los topes de guía de la parte superior del tubo de malla a través del orificio guía de la parte superior del prefiltro.
- iii Empuje el tubo de malla a través del filtro de esponja tubular y el prefiltro hasta que encaje en su lugar con un clic.

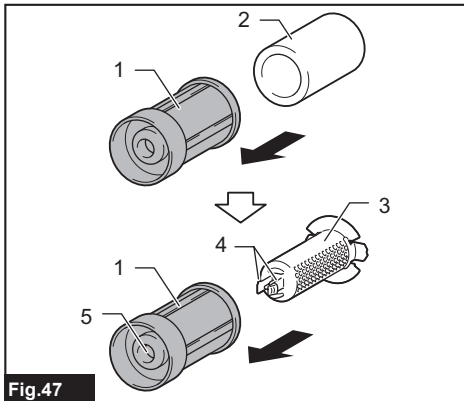


Fig.47

- 1. Prefiltro 2. Filtro de esponja tubular 3. Tubo de malla 4. Topes de guía 5. Orificio guía

7. Vuelva a colocar el filtro de malla en dentro del cuerpo ciclónico, alineando los ganchos del filtro de malla con los puertos de la salida de succión del cuerpo ciclónico. Gire el filtro de malla como se muestra en la figura hasta que los ganchos se bloqueen con un clic. Asegúrese de que el filtro de malla se instale firmemente.

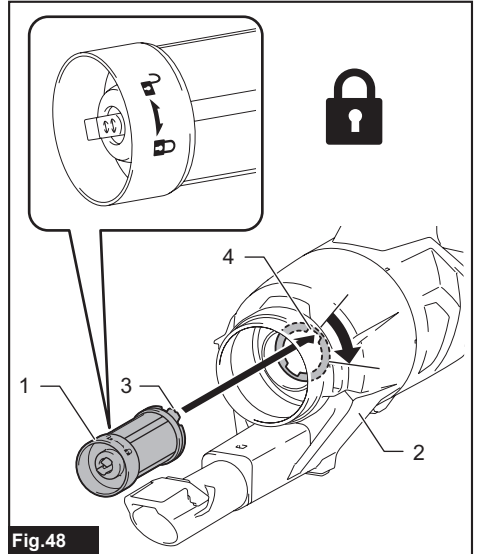


Fig.48

- 1. Filtro de malla 2. Cuerpo ciclónico 3. Gancho 4. Puerto

Canales de aire en la unidad ciclónica

Sustancias extrañas entrantes podrían bloquear los canales de aire en la unidad ciclónica y los flujos de aire cargado. Elimine cualquier obstáculo en la trayectoria del aire si el desempeño de succión se ve afectado de manera marcada.

- 1. Desmonte la unidad ciclónica en tres componentes: caja para polvo, filtro de malla y cuerpo ciclónico.

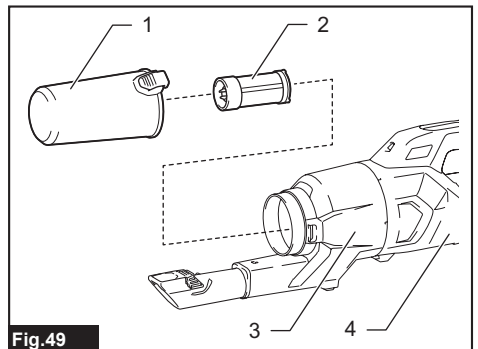


Fig.49

- 1. Caja para polvo 2. Filtro de malla 3. Cuerpo ciclónico 4. Cuerpo de la aspiradora

2. Presione y mantenga presionado el tope de guía del tubo de entrada hacia abajo a través del orificio de bloqueo del cuerpo ciclónico usando la herramienta manual con punta. Luego, desmonte el tubo de entrada del cuerpo ciclónico.

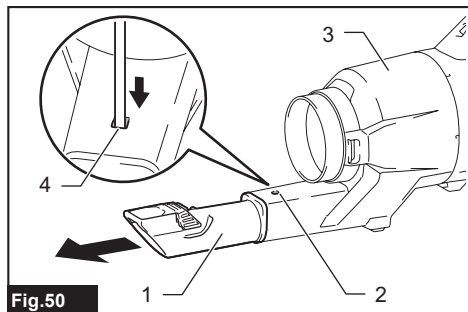


Fig.50

► 1. Tubo de entrada 2. Tope de guía 3. Cuerpo ciclónico 4. Orificio de bloqueo

3. Limpie cualquier sustancia que encuentre en los canales de aire.

Es probable que una sustancia extraña se atasque alrededor de un puerto de aire entrante.

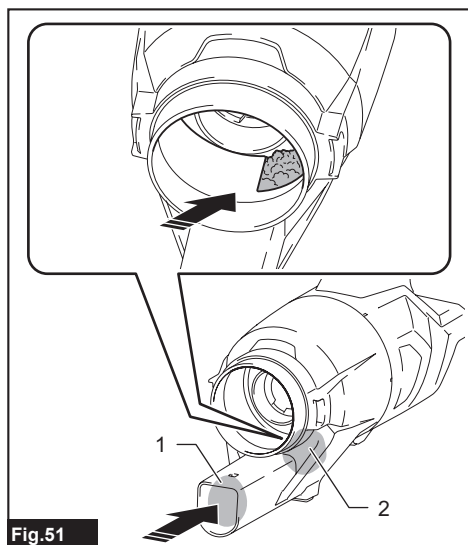


Fig.51

► 1. Entrada de succión 2. Puerto de aire entrante

4. Inserte el tubo de entrada de nuevo en su lugar hasta que quede bloqueado de forma segura.

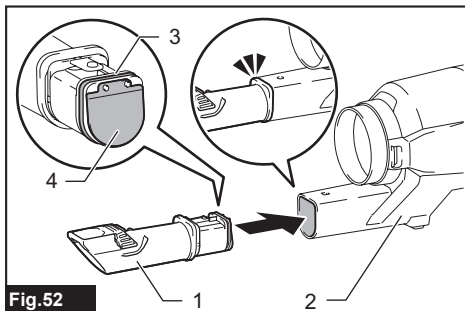


Fig.52

► 1. Tubo de entrada 2. Cuerpo ciclónico 3. Junta tórica 4. Válvula de lengüeta

AVISO: Asegúrese de que la junta tórica y la válvula de lengüeta estén firmemente en su lugar antes de volver a ensamblar. El desempeño de succión puede verse afectado si la unidad ciclónica se opera sin la junta tórica y la válvula de lengüeta en su lugar.

5. Vuelva a ensamblar la unidad ciclónica, y fíjela al cuerpo de la aspiradora.

DetECCIÓN Y SOLUCIÓN DE PROBLEMAS

Antes de solicitar una reparación, verifique los siguientes puntos.

Síntoma	Área a ser investigada	Método de solución
Potencia de succión deficiente	¿La caja para polvo o el interior de la unidad ciclónica están llenos de polvo?	Vacíe la caja para polvo o el interior de la unidad ciclónica.
	¿Los filtros están obstruidos?	Sacuda o lave el filtro de alto rendimiento / filtro HEPA / lámina de esponja / filtro de malla.
	¿Algo bloquea los canales de aire entrante?	Limpie el polvo y los objetos de las aberturas y canales de aire.
	¿El cartucho de batería se ha descargado?	Cargue el cartucho de batería.
No funciona	¿El cartucho de batería se ha descargado?	Cargue el cartucho de batería.
Ruido y vibración	¿Los filtros están obstruidos?	Sacuda o lave el filtro de alto rendimiento / filtro HEPA / lámina de esponja / filtro de malla.
	¿Algo bloquea las aberturas u orificios?	Limpie el polvo y los objetos de las boquillas, tubos y aberturas de aire.
	¿La entrada de succión de la boquilla o el tubo está cerrada?	Destape y abra la entrada de succión de la boquilla y el tubo.

⚠ PRECAUCIÓN: No intente reparar la aspiradora por su cuenta.

ACCESORIOS OPCIONALES

⚠ PRECAUCIÓN: Estos accesorios o aditamentos están recomendados para utilizarse con su herramienta Makita especificada en este manual. El empleo de cualquier otro accesorio o aditamento puede conllevar el riesgo de lesiones personales. Utilice los accesorios o aditamentos solamente para su fin establecido.

Si necesita cualquier ayuda para más detalles en relación con estos accesorios, pregunte a su centro de servicio local Makita.

- Tubo de extensión (tubo recto)
- Boquilla
- Boquilla para alfombra
- Cepillo para estantes
- Boquilla para esquinas
- Cepillo redondo
- Manguera flexible
- Filtro de alto rendimiento
- Filtro HEPA
- Boquilla para asientos
- Boquilla para huecos
- Bolsa de herramientas
- Batería y cargador originales de Makita

NOTA: Algunos de los artículos en la lista pueden incluirse en el paquete de la herramienta como accesorios estándar. Éstos pueden variar de país a país.

GARANTÍA LIMITADA DE MAKITA

Ésta Garantía no aplica para México

Consulte la hoja de la garantía anexa para ver los términos más vigentes de la garantía aplicable a este producto. En caso de no disponer de esta hoja de garantía anexa, consulte los detalles sobre la garantía descritos en el sitio web de su país respectivo indicado a continuación.

Estados Unidos de América: www.makitatools.com

Canadá: www.makita.ca

Otros países: www.makita.com

< USA only >

WARNING

Some dust created by power sanding, sawing, grinding, drilling, and other construction activities contains chemicals known to the State of California to cause cancer, birth defects or other reproductive harm. Some examples of these chemicals are:

- lead from lead-based paints,
- crystalline silica from bricks and cement and other masonry products, and
- arsenic and chromium from chemically-treated lumber.

Your risk from these exposures varies, depending on how often you do this type of work. To reduce your exposure to these chemicals: work in a well ventilated area, and work with approved safety equipment, such as those dust masks that are specially designed to filter out microscopic particles.

< Sólo en los Estados Unidos >

ADVERTENCIA

Algunos polvos creados por el lijado, aserrado, esmerilado, taladrado y otras actividades de la construcción contienen sustancias químicas reconocidas por el Estado de California como causantes de cáncer, defectos de nacimiento y otros peligros de reproducción. Algunos ejemplos de estos productos químicos son:

- plomo de pinturas a base de plomo,
- sílice cristalino de ladrillos y cemento y otros productos de albañilería, y
- arsénico y cromo de maderas tratadas químicamente.

El riesgo al que se expone varía, dependiendo de la frecuencia con la que realice este tipo de trabajo. Para reducir la exposición a estos productos químicos: trabaje en un área bien ventilada y póngase el equipo de seguridad indicado, tal como las máscaras contra polvo que están especialmente diseñadas para filtrar partículas microscópicas.

Makita Corporation

3-11-8, Sumiyoshi-cho,
Anjo, Aichi 446-8502 Japan

www.makita.com

885966A938
CL003G-1
EN, FRCA, ESMX
20220228